

LC-UL-1001-0300-B

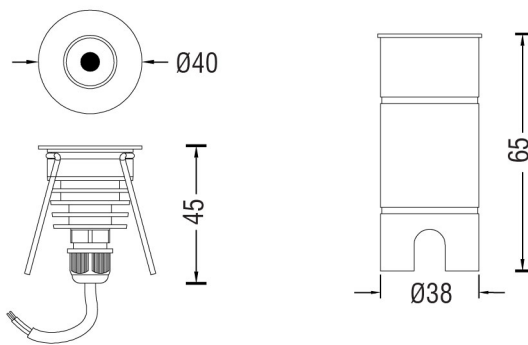
INGROUND



SPECIFICATION

Model	: LC-UL-1001-0300-B
Light source	: LED Chip
Power	: 3W
Lumen	: 300 lm
Lumen/Watt	: 100 lm/W
CCT	: 3000K
CRI	: >80
Beam Angle	: 15°, 20°, 25°, 30°, 45°
Material	: Stainless Steel 316
Color	: Stainless steel
Paint method	: -
Optical cover	: Step tempered glass
Adjustable	: -
IP	: 67
Driver Type	: Remote-Driver
Power Voltage	: 12Vdc
Power factor	: >0.96
Dimension (ØxH)	: Ø40×45 mm.

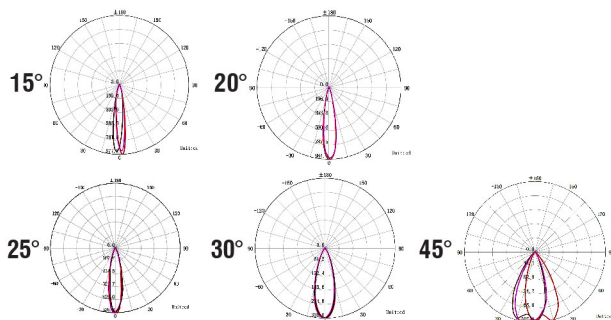
DIMENSION (Unit mm.)



ACCESSORIES

Mounting Sleeve	: Passivated (Anodizing) Aluminum CNC machined .Dark grey
Clip	: With Aluminium spring that's for deck lights or ceiling lights application

PHOTOMETRIC DATA



HOUSING

