

LUCE

PRODUCT *Vol.4*

www.southeastthailand.co.th

- *LANDSCAPE LIGHTING*
- *STREET LAMP*

www.southeastthailand.co.th

update: 02/05/2024



TEL : (662) 258-0210-5

FAX : (662) 258-1919

EMAIL : INFO@SOUTHEASTTHAILAND.CO.TH

About

01

Visit
Out
Show Room
&
Our Team



SOUTHEAST THAILAND CO., LTD.

บริษัท เซาท์อีสท์ไทยแลนด์ จำกัด ผู้จำหน่ายโคมไฟหลากหลายชนิดทั้งโคมไฟใช้งานทั่วไปสำหรับตกแต่งภายในอาคาร รวมทั้งโคมไฟภายนอกอาคารในรูปแบบของโคมไฟที่ทันสมัย มีเอกลักษณ์ เหมาะสมกับการใช้งาน รวมถึงโคมไฟ led เช่น ดาวน้โไลท์ โคมไฟติดผนังโคมไฟติดเพดานรวมถึงโคมไฟประเภทอื่นอีกมากมาย ในทุกรูปแบบ ทุกสไตล์ ไม่ว่าจะเป็นแนวโมเดิร์นหรือแนววินเทจใช้ได้ทั้งภายในและภายนอกอาคาร ด้วยมาตรฐานการผลิตที่ทันสมัย รวมถึงคุณภาพของ led chip ที่ทางบริษัทฯ ได้เลือกใช้ผลิตภัณฑ์ที่เป็นแบรนด์ชั้นนำระดับโลก เช่น Lumileds Cree Bridgelux ซึ่งมั่นใจในมาตรฐานและคุณภาพระดับสากล ผลิตภัณฑ์โคมไฟที่ทางบริษัทฯ เป็นตัวแทนจำหน่ายมีทั้งนำเข้าจากยุโรป อาทิ Klewe, Vistosi, Prisma-Fumagalli, OSRAM, Traxon และสินค้าของบริษัทเซาท์อีสท์ไทยแลนด์ ภายใต้แบรนด์ LUCE นอกจากนี้ทางบริษัทฯ ยังมีบริการให้คำปรึกษาด้านแสงสว่างโดยผู้เชี่ยวชาญด้านแสงสว่าง รวมทั้งมีทีมออกแบบ (Lighting Designer) เพื่อให้บริการด้านการออกแบบ ไม่ว่าจะเป็นการออกแบบไฟภายใน ไฟภายนอกหรือแม้แต่ไฟประดับอาคาร ด้วยประสบการณ์อันยาวนานในการจัดจำหน่ายโคมไฟรวมถึงการให้บริการต่างๆ ด้านไฟฟ้าและแสงสว่างมากกว่า 50 ปี เราจึงมีกลุ่มลูกค้าที่ไว้วางใจ ในการใช้ผลิตภัณฑ์ของทาง บริษัทฯ ด้วยดีตลอดมา ไม่ว่าจะเป็นโครงการคอนโดมิเนียมชั้นนำโรงแรม อาคารสำนักงาน บ้านพักอาศัยร้านค้าต่างๆ เป็นต้นเราจึงมั่นใจได้ว่าเราเป็นหนึ่งในบริษัทที่ให้บริการสินค้าโคมไฟครบวงจรทุกประเภท ทุกสไตล์ ทุกบริการรวมถึงการบริการหลังการขายเพื่อตอบสนองความต้องการของลูกค้า



IG : southeast_thailand



FB : SoutheastThailandOfficial

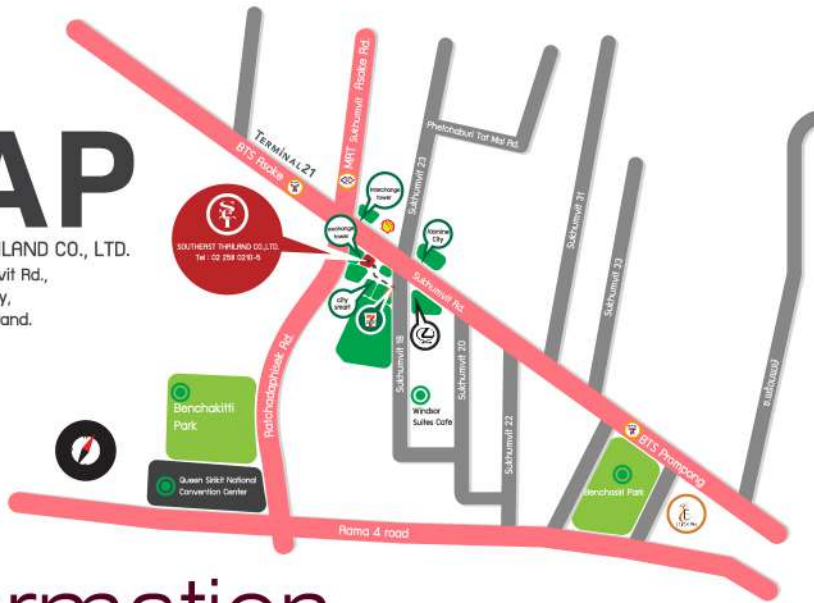


WWW.SOUTHEASTTHAILAND.CO.TH

EMAIL : lighting@southeastthailand.co.th

MAP

SOUTHEAST THAILAND CO., LTD.
390/6-7-8 Sukhumvit Rd.,
Klongtoey, Klongtoey,
Bangkok, 10110 Thailand.



Map

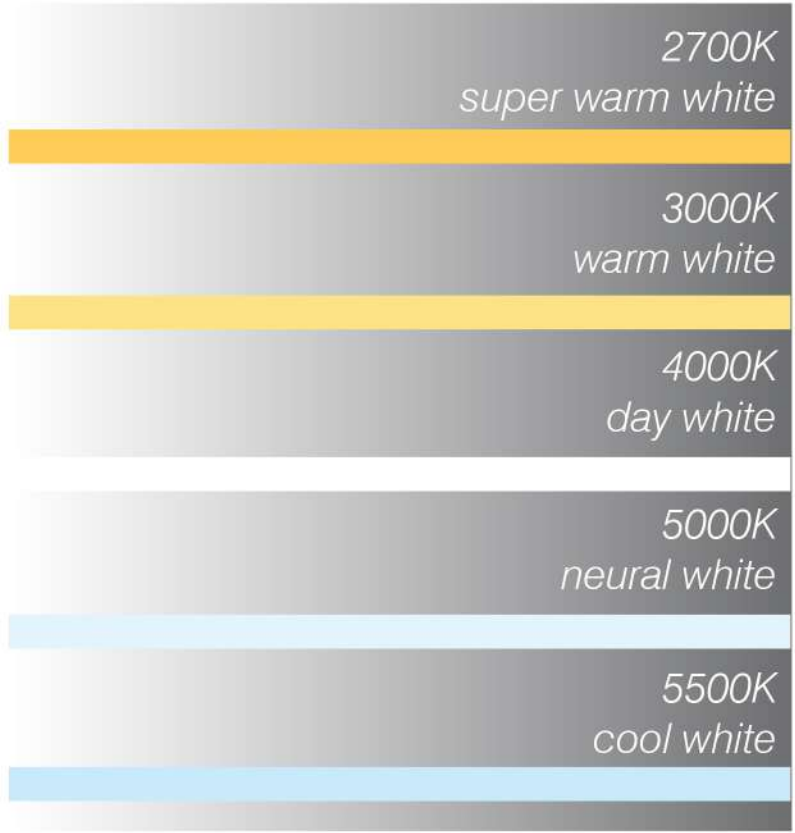
02

information

Correlated Color Temperature (CCT)

Definition: the absolute temperature of a blackbody whose chromaticity most nearly resembles that of the light source. The correlated color temperature (CCT) is a specification of the color appearance of the light emitted by a lamp, relating its color to the color of light from a reference source when heated to a particular temperature, measured in degrees Kelvin (K). The CCT rating for a lamp is a general "warmth" or "coolness" measure of its appearance. However, opposite to the temperature scale, lamps with a CCT rating below 3200 K are usually considered "warm" sources, while those with a CCT above 4000 K are usually considered "cool" in appearance. The correlated color temperature (CCT) designation for a light source gives a good indication of the lamp's general appearance, but does not give information on its specific spectral power distribution. Therefore, two lamps may appear to be the same color, but their effects on object colors can be quite different, which could be further explained in color rendering index (CRI).

Reference: Lighting Research Centre (USA)



Easy guide to Colour Rendering Index (CRI)

you're looking at lamps, bulbs or any form of lights, you'll often notice how many products have a 'CRI' number, known as a 'Colour Rendering Index'. But what is 'CRI' and how does its rating effect our decision to make a purchase? Let BeamLED whittle down the facts for you in 'Your Guide to CRI'.

What is CRI?

CRI (Colour Rendering Index) is the standard measurement of a sources ability to reveal the colours of objects in comparison to a natural light source. The highest possible CRI is 100. This is the same colouring rendering as natural daylight which is often given to incandescent /halogen bulbs. The colour of the light is known as Correlated Colour Temperature (CCT) and is measured in Kelvin (K). Warmer/yellow bulbs = 3500k , whilst cooler/bluer bulbs = 6500k.

LANDSCAPE LIGHTING



Model

WOODY MAXI

BOLLARD LIGHT



7
WATT

IP65

die-cast
aluminium

WOOD
COLORS

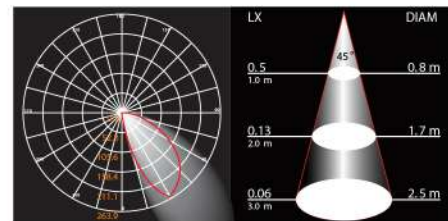


SPECIFICATION

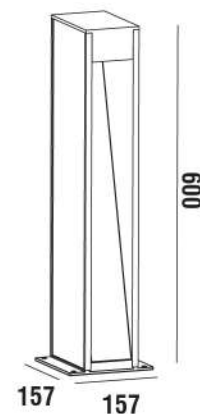
Item No.	: WOODY MAXI
Power	: 7W
Light source	: CREE LED
Lumen	: 700 lm
Lumen/Watt	: 100 lm/W
CCT	: 3000K
CRI	: >80
Beam Angle	: 45°
Material	: Aluminium
Color	: Wood
Paint method	: UV Powder coating
Optical cover	: Safety glass lens
Adjustable	: -
IP	: 65
Driver Type	: Built-in Driver
Surge Protection	: -
Power Voltage	: 110-240V~50Hz
Power factor	: >0.96
Dimension (WxLxH)	: 157x157x600 mm.
Lifetime	: >50,000 hours
Craftwork	: fastening screws stainless steel nuts
Other	: LED driver certified by Intertek

UNIT PRICE : 7,500.-

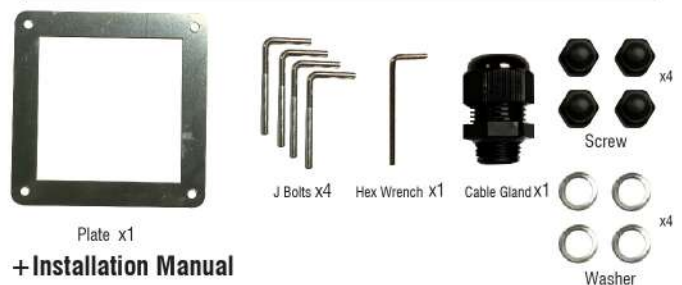
PHOTOMETRIC DATA



DIMENSION (Unit mm.)



ACCESSORY



+ Installation Manual

Model

ARA MAXI

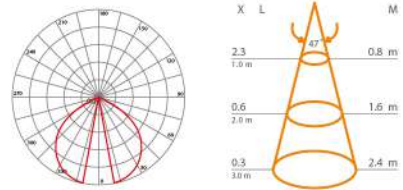
BOLLARD LIGHT



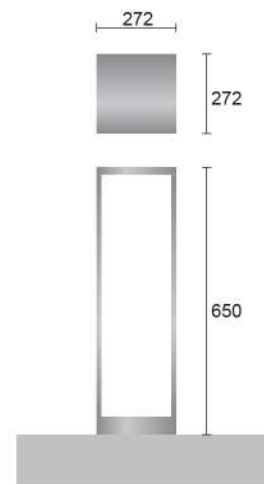
SPECIFICATION

Item No.	: 2140203
Power	: 15W
Light source	: CREE LED
Lumen	: 1500 lm
Lumen/Watt	: 100 lm/W
CCT	: 3000K
CRI	: >80
Beam Angle	: 47°
Material	: Aluminium die-cast
Color	: Anthracite
Paint method	: UV Powder coating
Optical cover	: Safety glass lens
Adjustable	: -
IP	: 65
Driver Type	: Built-in Driver
Surge Protection	: -
Power Voltage	: 200-240V~ 50Hz
Power factor	: >0.96
Dimension (WxLxH)	: 272x272x650 mm.
Lifetime	: >50,000 hours
Craftwork	: fastening screws stainless steel nuts
Other	: -

PHOTOMETRIC DATA



DIMENSION (Unit mm.)



ACCESSORY



Plate x1



+ Installation Manual

UNIT PRICE : 6,500.-

Model

PALMILA MINI

BOLLARD LIGHT



7W
700lm

IP65

die-cast
aluminium

ANTHRACITE
COLORS

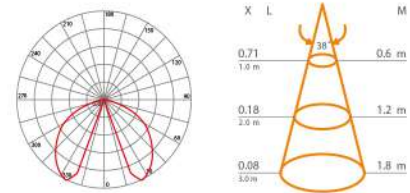


SPECIFICATION

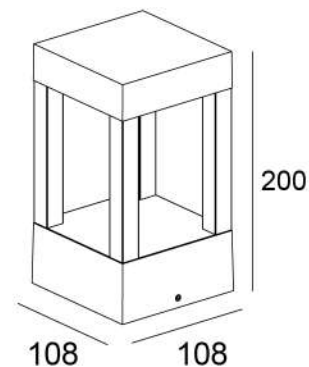
Item No.	: 8453LED-20003
Power	: 7W
Light source	: CREE LED
Lumen	: 700 lm
Lumen/Watt	: 100 lm/W
CCT	: 3000K
CRI	: >80
Beam Angle	: 38°
Material	: Aluminium die-cast
Color	: Anthracite
Paint method	: UV Powder coating
Optical cover	: Safety glass lens
Adjustable	: -
IP	: 65
Driver Type	: Built-in Driver
Surge Protection	: -
Power Voltage	: 200-240V~ 50Hz
Power factor	: >0.96
Dimension (WxLxH)	: 108x108x200 mm.
Lifetime	: >50,000 hours
Craftwork	: fastening screws stainless steel nuts
Other	: -

UNIT PRICE : 4,500.-

PHOTOMETRIC DATA



DIMENSION (Unit mm.)



ACCESSORY

+ Installation Manual



Hex Wrench x1



Plastic Plug x2



Nuts x2



Rubber Stopper x1

Model

LC-WD-C240

BOLLARD LIGHT

7W
700lm

IP65

ALUMINIUM
MATERIAL

MATT
BLACK
COLORS

ECO

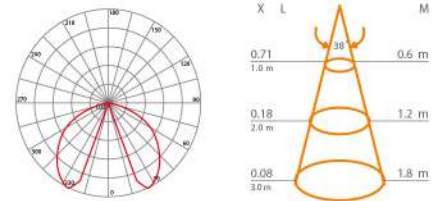


SPECIFICATION

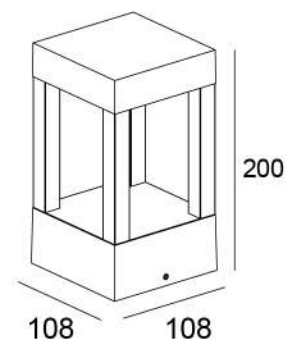
Item No.	: LC-WD-C240
Power	: 7W
Light source	: CREE LED
Lumen	: 700 lm
Lumen/Watt	: 100 lm/W
CCT	: 3000K
CRI	: > 80
Beam Angle	: 38°
Material	: aluminum lamp cap/tempered glass
	• The exposed fastening screws and nuts are 201 stainless steel.
	• Process: Outdoor UV powder spraying, anti-corrosion/acid and alkali resistance. Thickness ≥ 80um Stainless steel fastening screws and nuts (exposed).
Color	: Matt Black
Paint method	: UV Powder coating
Optical cover	: Safety glass lens
Adjustable	: -
IP	: 65
Driver Type	: Built-in Driver
Surge Protection	: -
Power Voltage	: 200-240V~ 50Hz
Power factor	: > 0.96
Dimension (WxLxH)	: 108x108x200 mm.
Lifetime	: > 50,000 hours
Craftwork	: fastening screws stainless steel nuts
Other	: -

UNIT PRICE : 2,200.-

PHOTOMETRIC DATA



DIMENSION (Unit mm.)



ACCESSORY

+ Installation Manual

Model

LC-WD-C1098

BOLLARD LIGHT

LED
OSRAM

7W
700lm

IP65

ALUMINIUM

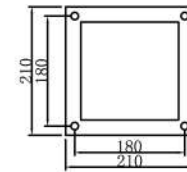
MATT
ANTHRACITE
COLOR



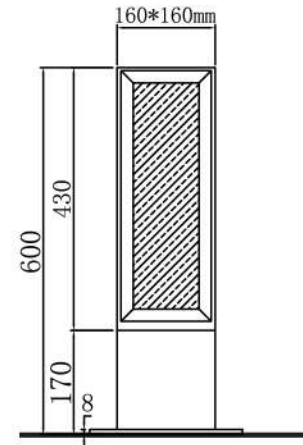
SPECIFICATION

Item No.	: LC-WD-C1098
Power	: 7W
Light source	: CREE LED
Lumen	: 700 lm
Lumen/Watt	: 100 lm/W
CCT	: 3000K
CRI	: >80
Beam Angle	: -
Material	: Aluminum+white oil tempered glass The exposed fastening screws, nuts is 304 stainless steel. UV Powder coating (UV Protected), Anti-rotten/acid.alkali.thickness≥80um, fastening screws, nuts of stainless steel (exposed).
Color	: Matt Black
Craftwork	: UV Powder coating (UV Protected), Anti-rotten/acid.alkali.thickness≥80um, fastening screws
Optical cover	: White oil tempered glass
Adjustable	: -
IP	: 65
Driver Type	: Meanwell Driver
Surge Protection	: -
Power Voltage	: 200-240V~ 50Hz
Power factor	: >0.96
Dimension (WxLxH)	: 160x160x600 mm.
Lifetime	: >50,000 hours
Other	: -

DIMENSION (Unit mm.)



Flange embedded parts hold size T=8mm

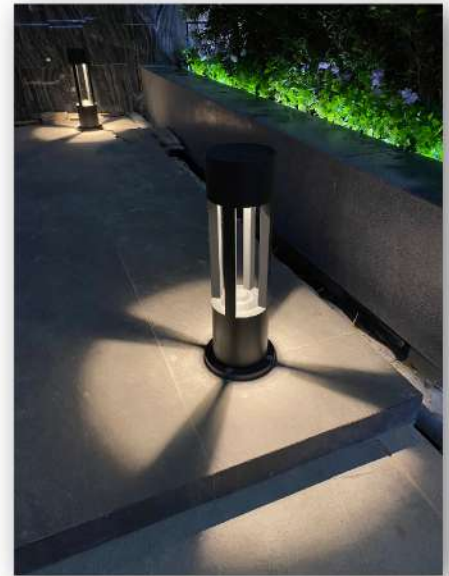
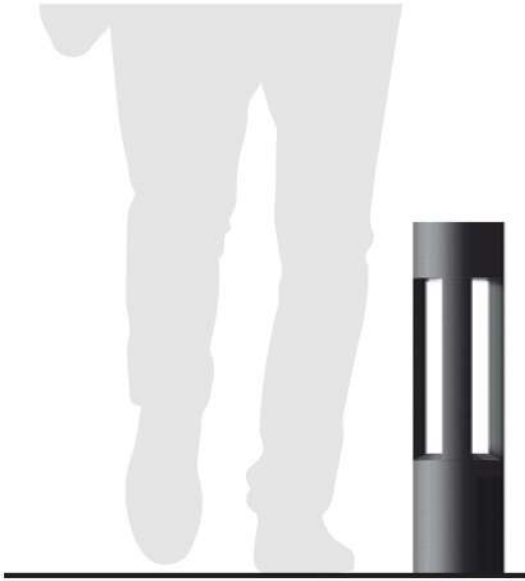


UNIT PRICE : 8,500.-

Model

LC-WD-C411A

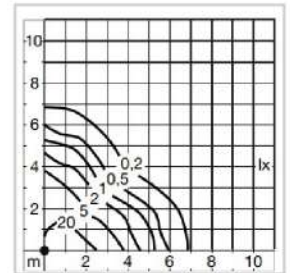
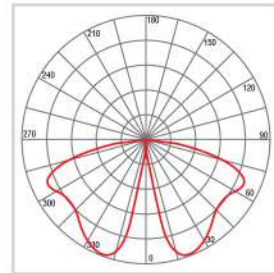
BOLLARD LIGHT



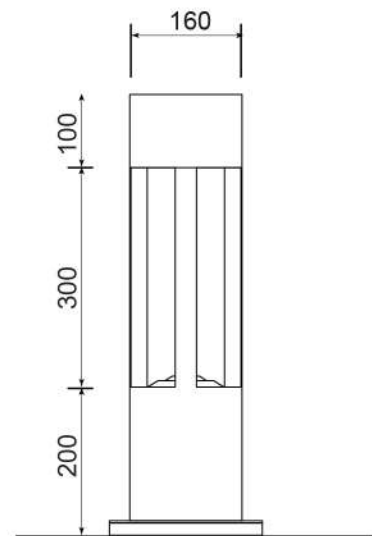
SPECIFICATION

Power Input	: 7W
Light source	: CREE LED
Lumen	: 700 lm
Lumen/Watt	: 100 lm/W
CCT	: 3000K
CRI	: >80
Beam Angle	: 76°
Materials	: Aluminium, The exposed fastening screws, nuts is 304 stainless steel.
Color	: Matt Anthracite (V322401S)
Paint method	: UV Powder coating (UV Protected), Anti-rotten/acid.alkali.thickness≥80um, fastening screws, nuts of stainless steel (exposed).
Optical cover	: Polycarbonate
Adjustable	: No
IP	: 65
Driver Type	: Internal Driver
Surge Protection	: 6kV
Power Voltage	: 100-240 VAC 50Hz , <15%
Power factor	: >0.96
Standard (Local)	: TIS.1955/2551
Applied	: MEA Test Certificate
Dimension (ØxH)	: Ø160x600 mm.
Lifetime	: >50,000 hours

PHOTOMETRIC DATA



DIMENSION (Unit mm.)



UNIT PRICE : 6,000.-

Model

TRANSIT

BOLLARD LIGHT

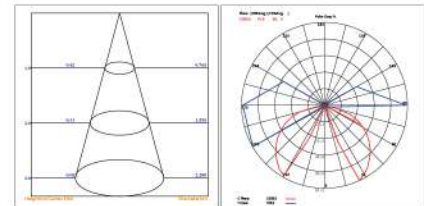


SPECIFICATION

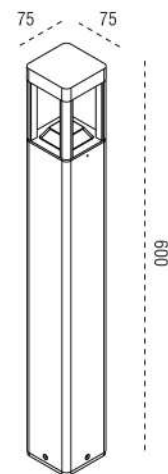
Item No.	: 1530103
Power	: 7W
Light source	: CREE LED
Lumen	: 700 lm
Lumen/Watt	: 100 lm/W
CCT	: 3000K
CRI	: >80
Beam Angle	: 47°
Material	: Aluminium die-cast
Color	: Anthracite
Paint method	: UV Powder coating
Optical cover	: Safety glass lens
Adjustable	: -
IP	: 65
Driver Type	: -
Surge Protection	: -
Power Voltage	: 200-240V~ 50Hz
Power factor	: 0.9
Dimension (WxLxH)	: 75x75x600 mm.
Lifetime	: >50,000 hours
Craftwork	: fastening screws stainless steel nuts
Other	: LED driver certified by Intertek

UNIT PRICE : 6,600.-

PHOTOMETRIC DATA



DIMENSION (Unit mm.)



ACCESSORY



Washer x4

Screw x4



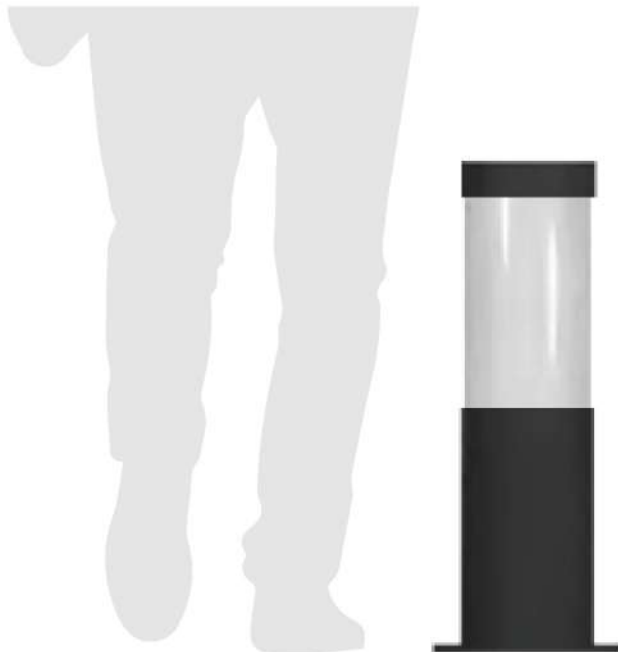
J Bolts x4

+ Installation Manual

Model

LC-WD-C124F

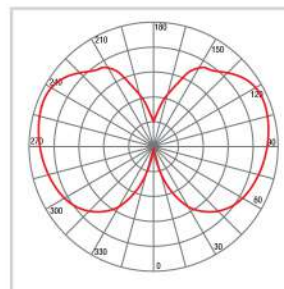
BOLLARD LIGHT



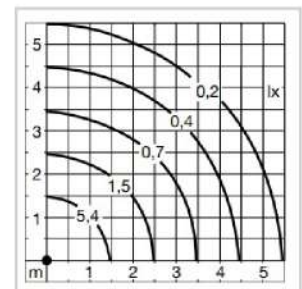
SPECIFICATION

Power	: 7W
Light source	: CREE LED
Lumen	: 700 lm
Lumen/Watt	: 100 lm/W
CCT	: 3000K
CRI	: >80
Beam Angle	: 360°
Materials	: aluminum+ poly frosty acrylic. Exposed fastening screws, nuts is 304 stainless steel.
Color	: Matt Anthracite (V322401S)
Paint method	: UV Powder coating Outdoor UV spray powder, Anti-rotten/acid.alkali.thickness≥80um fastening screws, nuts of stainless steel (exposed).
Optical cover	: Polycarbonate
Adjustable	: No
IP	: 65
Driver Type	: Internal Driver
Surge Protection	: 6kV
Power Voltage / THDi(%)	: 100-240 VAC 50Hz , <15%
Power factor	: >0.96
Standard (Local)	: TIS.1955/2551
Applied	: -
Dimension (ØxH)	: Ø140x600 mm.
Lifetime	: >50,000 hours

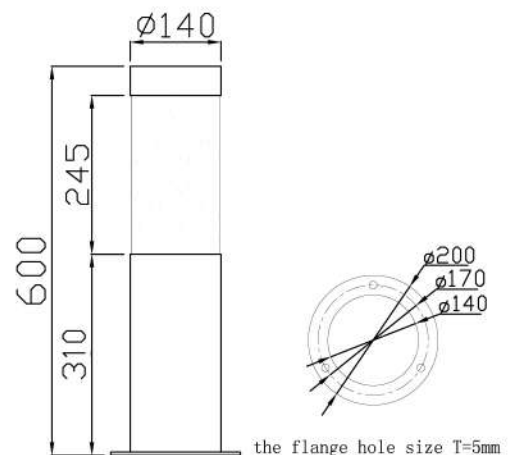
PHOTOMETRIC DATA



LIGHT DISTRIBUTION



DIMENSION (Unit mm.)



UNIT PRICE : 7,000.-

Model

LC-WD-C1099

BOLLARD LIGHT

LED
CREE

7
watt

IP65

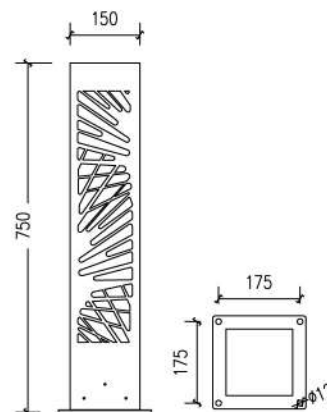
Matt
Anthracite



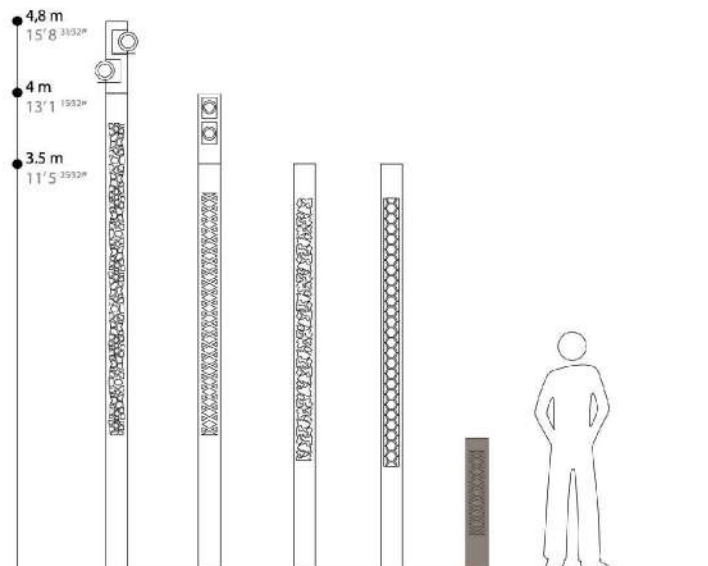
SPECIFICATION

Model	: LC-WD-C1099
Size	: 150x150xH750mm.
Light source	: LED CREE
Watt	: 7W
Lumen	: 700lm
CCT	: 3000K
Input voltage	: AC220V~50Hz
Material	: Good quality aluminum. fastening screws, nuts is 304 stainless steel.
Craftwork	: Outdoor UV spray powder, Anti-rotten/acid.alkali.thickness≥80um fastening screws, nuts of stainless steel (exposed).
IP	: 65
Color finish	: Matt Anthracite (V322401S)

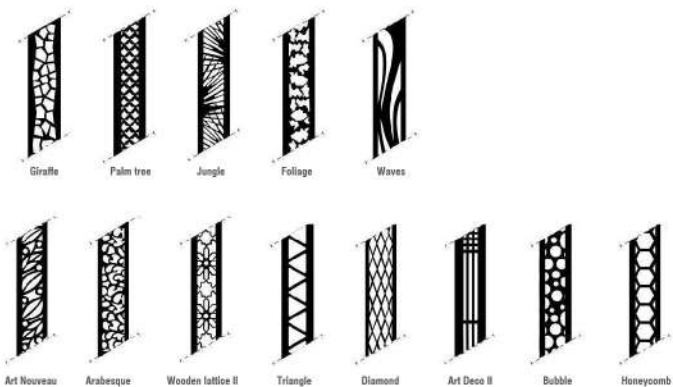
DIMENSION (Unit of mm.)



OPTIONS TYPE



OPTIONS GEOMETRIC



UNIT PRICE : 7,500.-

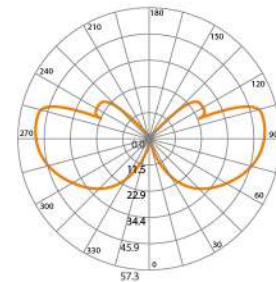
Model

LC-WD-C758B

BOLLARD LIGHT



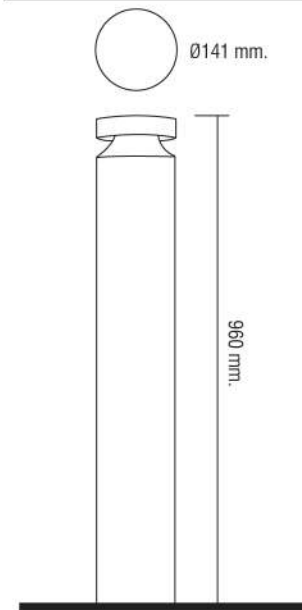
PHOTOMETRIC DATA



SPECIFICATION

Color Finish	: Anthracite
Size	: Ø141 x H960mm.
Light Source	: LED
Watt	: 10W
Lumen	: 1000lm
CCT	: 3000K
Input Voltage	: AC220V-50Hz
Material	: Aluminum T2.5MM+tempered frosted glass.Exposed fastening screws, nuts is 304 stainless steel.
Craftwork	: Outdoor UV spray powder, Anti-rotten /acid.alkali.thickness≥80um, fastening screws, nuts of stainless steel (exposed).
IP	: 65
Color	: Anthracite

DIMENSION (Unit of mm.)



UNIT PRICE : 5,800.-

Model
PILUM

BOLLARD LIGHT

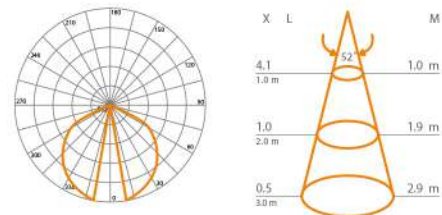


SPECIFICATION

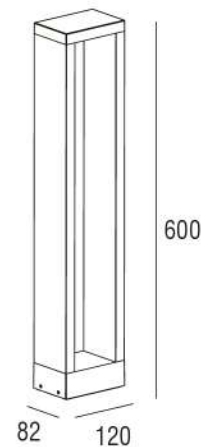
Item No.	: 2120103
Power	: 10W
Light source	: CREE LED
Lumen	: 1000 lm
Lumen/Watt	: 100 lm/W
CCT	: 3000K
CRI	: >80
Beam Angle	: 52°
Material	: Aluminium die-cast
Color	: Anthracite
Paint method	: UV Powder coating
Optical cover	: Safety glass lens
Adjustable	: -
IP	: 65
Driver Type	: Internal Driver
Surge Protection	: -
Power Voltage	: 200-240V~ 50Hz
Power factor	: 0.9
Dimension (WxLxH)	: 82x120x600 mm.
Lifetime	: >50,000 hours
Craftwork	: fastening screws stainless steel nuts
Other	: AC LED,without driver

UNIT PRICE : 6,000.-

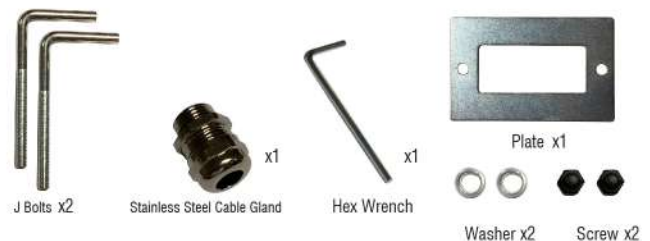
PHOTOMETRIC DATA



DIMENSION (Unit mm.)



ACCESSORY



+ Installation Manual

Model

ELFO

BOLLARD LIGHT



LED
CREE

7W
700lm

IP65

DIE-CAST
ALUMINIUM

ANTHRACITE
COLOR

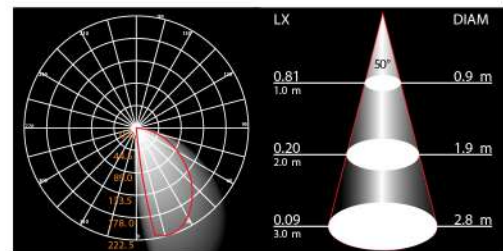


SPECIFICATION

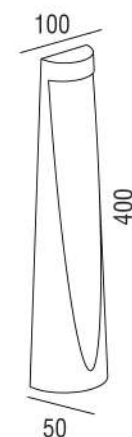
Item No.	: 5853COB-400
Power	: 7W
Light source	: CREE LED
Lumen	: 700 lm
Lumen/Watt	: 100 lm/W
CCT	: 3000K
CRI	: >80
Beam Angle	: 50°
Material	: Aluminium die-cast
Color	: Anthracite
Paint method	: UV Powder coating
Optical cover	: Safety glass lens
Adjustable	: -
IP	: 65
Driver Type	: Internal Driver
Surge Protection	: -
Power Voltage	: 200-240V~ 50Hz
Power factor	: 0.9
Dimension (WxLxH)	: 100x50x400 mm.
Lifetime	: >50,000 hours
Craftwork	: fastening screws stainless steel nuts
Other	: AC LED, without driver

UNIT PRICE : 5,000.-

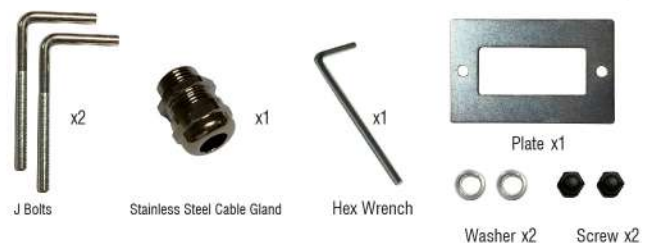
PHOTOMETRIC DATA



DIMENSION (Unit mm.)



ACCESSORY



+ Installation Manual

Model

LC-YL-Limb-2043

Bollard light

12W
1200lm

DIE CASTING
ALUMINIUM

LED

IP65

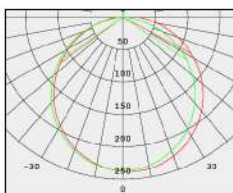
Anthracite
Grey
RAL 7016



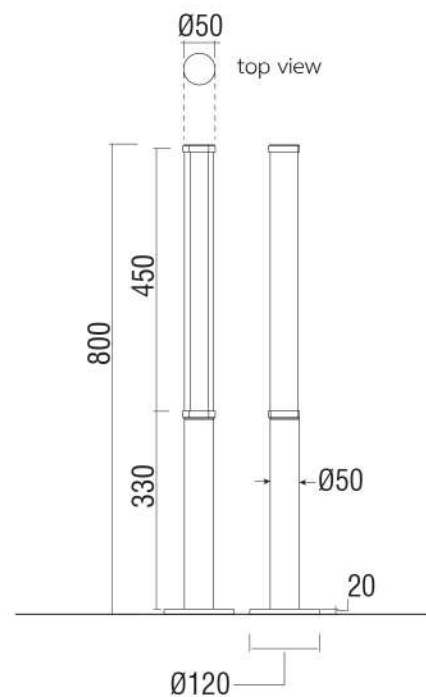
SPECIFICATION

Power	: 12W
Light source	: LED
Lumen	: 1200lm
CCT	: 3000K
Beam Angle	: 116°
Input Voltage	: 110-240V/50Hz
Materials	: Die-casting Aluminium and extruded Aluminium
	: Opal PC Lens
IP	: 65
Dimension	: Body $\text{Ø}50 \times \text{H}780$ mm. Base $\text{Ø}120 \times \text{H}20$ mm. Total Height 800 mm.
Color	: Anthracite Grey RAL 7016

PHOTOMETRIC DATA



DIMENSION (Unit mm.)



UNIT PRICE : 6,500.-

Model

FLUX

POST LIGHT

LED
CREE

6W
600lm

IP54

DIE-CAST
ALUMINIUM

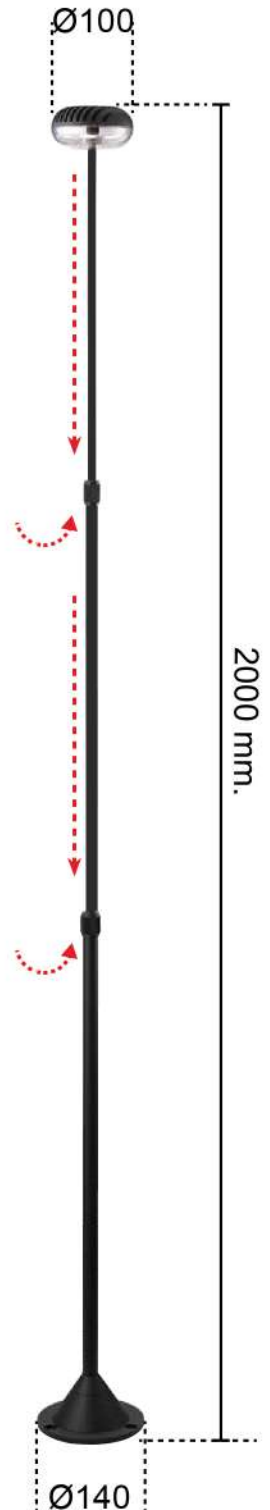
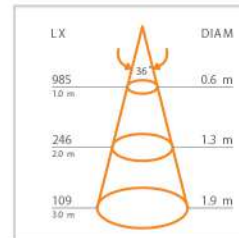
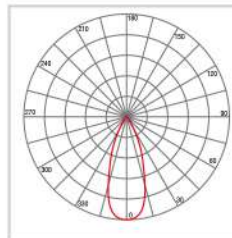
ANTHRACITE
COLOR

SPECIFICATION

Item No.	: 1510103-LED
Power	: 6W
Light source	: CREE LED
Lumen	: 600 lm
Lumen/Watt	: 100 lm/W
CCT	: 3000K
CRI	: >80
Beam Angle	: 35°
Material	: Aluminium die-cast
Color	: Anthracite
Paint method	: UV Powder coating
Optical cover	: Clear pc
Adjustable	: -
IP	: 65
Driver Type	: -
Surge Protection	: -
Power Voltage	: 200-240V~ 50Hz
Power factor	: 0.9
Dimension (ØxH)	: Ø100x2000 mm.
Lifetime	: >50,000 hours
Craftwork	: fastening screws stainless steel nuts
Other	: LED driver certified by Intertek



PHOTOMETRIC DATA



+ Installation Manual

UNIT PRICE : 6,600.-

ปรับได้ต่ำสุด สูง900 mm.

ปรับได้สูงสุด สูง2000 mm.

Model

CUBIC MINI

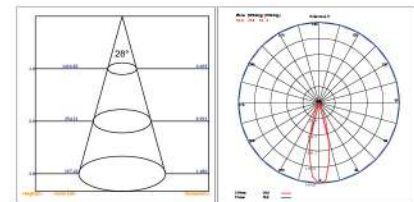
SPOTLIGHT



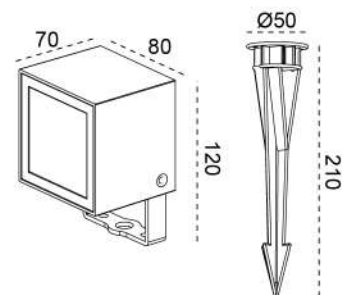
SPECIFICATION

Item No.	: LC-2741-03
Power	: 8W
Light source	: CREE LED
Lumen	: 800 lm
Lumen/Watt	: 100 lm/W
CCT	: 3000K
CRI	: >80
Beam Angle	: 36°
Material	: Aluminium die-cast
Color	: Anthracite
Paint method	: UV Powder coating
Optical cover	: Safety glass lens
Adjustable	: Yes
IP	: 65
Driver Type	: Built-in Driver
Surge Protection	: -
Power Voltage / THDi(%)	: 100-240 VAC 50Hz
Power factor	: >0.96
Standard (Local)	: -
Applied	: -
Dimension (WxLxH)	: 70x80x120 mm.
Lifetime	: >50,000 hours
Craftwork	: fastening screws stainless steel nuts

PHOTOMETRIC DATA



DIMENSION (Unit mm.)



ACCESSORY



+ Installation Manual

UNIT PRICE : 3,700.-

Model

LC-WD-MB23-0611

SPOTLIGHT

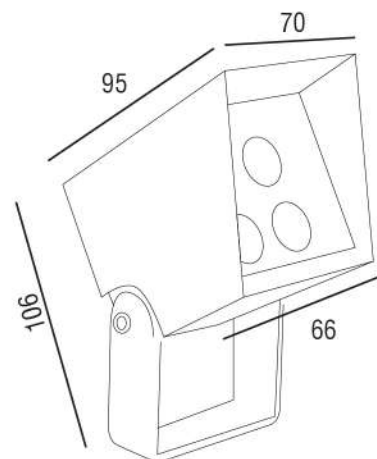


SPECIFICATION

Item No.	: LC-WD-MB23-0611
Power	: 8W
Light source	: LED CREE
Lumen	: 800 lm
Lumen/Watt	: 100 lm/W
Color	: 3000K
CRI	: >80
Beam Angle	: 36°
Material	: Aluminium
Color	: Dark Grey
Adjustable	: Yes
IP	: 65
Input Voltage	: 220-240V~50hz
Power factor	: 0.96
Dimension (WxLxH)	: 70x95x106 mm.
Lifetime	: >50,000 hours

UNIT PRICE : 2,200.-

DIMENSION (Unit mm.)



ACCESSORY



Plastic spike included



Hex Wrench



Tree Strap (for small base)

Optional

Model
CUBIC

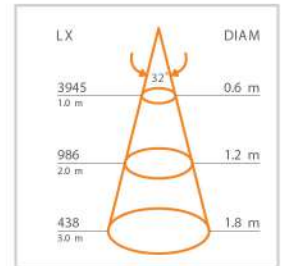
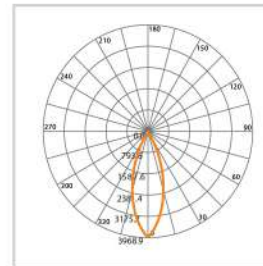
LED FLOOD LUMINAIRE



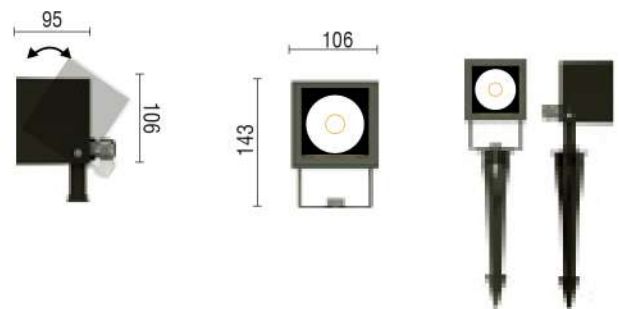
SPECIFICATION

Item No.	: H1871
Power	: 20W
Light source	: CREE LED
Lumen	: 2000 lm
Lumen/Watt	: 100 lm/W
CCT	: 3000K
CRI	: >80
Beam Angle	: 32°
Material	: Aluminium die-cast
Color	: Anthracite
Paint method	: UV Powder coating
Optical cover	: Safety glass lens
Adjustable	: Yes
IP	: 65
Driver Type	: Built-in Driver
Surge Protection	: -
Power Voltage / THDi(%)	: 100-240 VAC 50Hz
Power factor	: >0.96
Standard (Local)	: -
Applied	: -
Dimension (WxLxH)	: 95x106x143mm.
Lifetime	: >50,000 hours
Craftwork	: fastening screws stainless steel nuts

PHOTOMETRIC DATA



DIMENSION (Unit mm.)



ACCESSORY



+ Installation Manual

UNIT PRICE : 6,200.-

Model

CUBIC MICRO

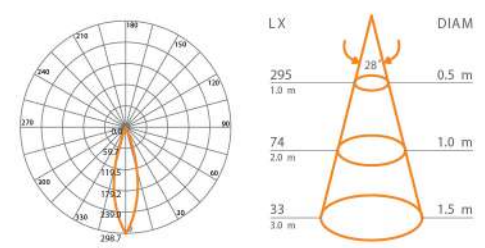
LED FLOOD LUMINAIRE



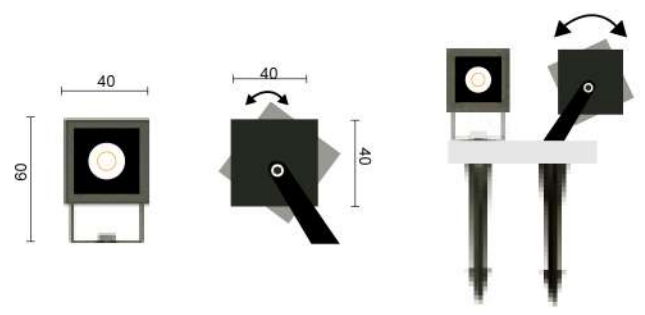
SPECIFICATION

Item No.	: H1801
Power	: 1W
Light source	: CREE LED
Lumen	: 100 lm
Lumen/Watt	: 100 lm/W
CCT	: 3000K
CRI	: >80
Beam Angle	: 28°
Material	: Aluminium die-cast
Color	: Anthracite
Paint method	: UV Powder coating
Optical cover	: Safety glass lens
Adjustable	: Yes
IP	: 65
Driver Type	: Built-in Driver
Surge Protection	: -
Power Voltage / THDi(%)	: 100-240 VAC 50Hz
Power factor	: >0.96
Standard (Local)	: -
Applied	: -
Dimension (WxLxH)	: 40x40x60mm.
Lifetime	: >50,000 hours
Craftwork	: fastening screws stainless steel nuts

PHOTOMETRIC DATA



DIMENSION (Unit mm.)



ACCESSORY



UNIT PRICE : 2,600.-

Model

PIXIE WALL

SPOTLIGHT



167403



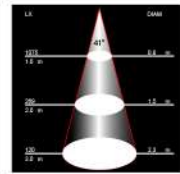
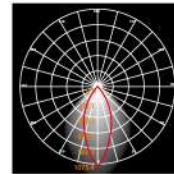
166403



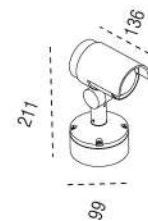
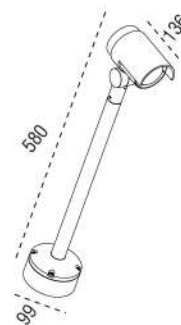
SPECIFICATION

Item No.	:	167403,166403
Power	:	15W
Light source	:	CREE LED
Lumen	:	1500 lm
Lumen/Watt	:	100 lm/W
CCT	:	3000K
CRI	:	>80
Beam Angle	:	41°
Material	:	Aluminium die-cast
Color	:	Anthracite
Paint method	:	UV Powder coating
Optical cover	:	Safety glass lens
Adjustable	:	Yes (90°)
IP	:	65
Driver Type	:	Built-in Driver
Surge Protection	:	-
Power Voltage / THDi(%)	:	100-240 VAC 50Hz
Power factor	:	>0.96
Standard (Local)	:	-
Applied	:	-
Dimension (WxLxH)	:	580x136x99 mm., 211x136x99 mm.
Lifetime	:	>50,000 hours
Craftwork	:	fastening screws stainless steel nuts

PHOTOMETRIC DATA



DIMENSION (Unit of mm.)



ACCESSORY



Hex Wrench



Plastic Plug X2



Rubber Stopper



Nuts X2



Tree Strap
(for small base)



Plastic spike

+ Installation Manual

167403

UNIT PRICE : 5,800.-

166403

UNIT PRICE : 5,200.-

Model

PIXIE WALL

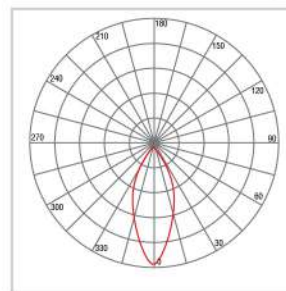
SPOT LIGHT



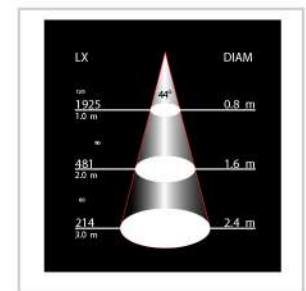
SPECIFICATION

Item No.	: H166703
Power	: 20W
Light source	: CREE LED
Lumen	: 2000 lm
Lumen/Watt	: 100 lm/W
CCT	: 3000K
CRI	: >80
Beam Angle	: 44°
Material	: Aluminium die-cast
Color	: Anthracite
Paint method	: UV Powder coating
Optical cover	: Safety glass lens
Adjustable	: Yes (90°)
IP	: 65
Driver Type	: Built-in Driver
Surge Protection	: -
Power Voltage / THDi(%)	: 100-240 VAC 50Hz
Power factor	: >0.96
Standard (Local)	: -
Applied	: -
Dimension (WxLxH)	: 99x136x211 mm.
Lifetime	: >50,000 hours
Craftwork	: fastening screws stainless steel nuts

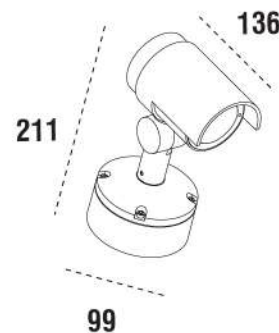
PHOTOMETRIC DATA



LIGHT DISTRIBUTION



DIMENSION (Unit mm.)



ACCESSORY



Hex Wrench



Plastic Plug X2



Rubber Stopper



Nuts X2



Tree Strap (for small base)



Plastic spike

+ Installation Manual

UNIT PRICE : 5,800.-

Model

COLLIMATOR MINI

SPOT LIGHT



Adjustable
300°

LED
CREE

4.5w
450lm

IP65

DIE-CAST
ALUMINIUM

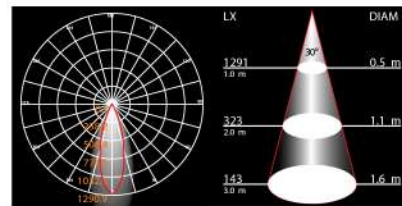
ANTHRACITE
COLOR



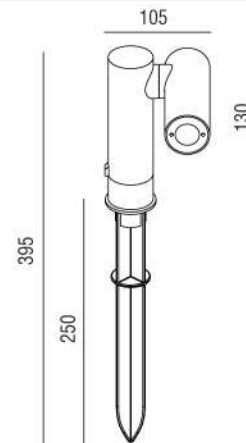
SPECIFICATION

Item No.	: H1971A-03
Power	: 4.5W
Light source	: CREE LED
Lumen	: 450 lm
Lumen/Watt	: 100 lm/W
CCT	: 3000K
CRI	: >80
Beam Angle	: 30°
Material	: Aluminium die-cast
Color	: Anthracite
Paint method	: UV Powder coating
Optical cover	: Safety glass lens
Adjustable	: Yes (300°)
IP	: 65
Driver Type	: Built-in Driver
Surge Protection	: -
Power Voltage / THDi(%)	: 100-240 VAC 50Hz
Power factor	: >0.96
Standard (Local)	: -
Applied	: -
Dimension (WxLxH)	: 105x130x395 mm.
Lifetime	: >50,000 hours
Craftwork	: fastening screws stainless steel nuts
Other	: LED driver certified by Intertek

PHOTOMETRIC DATA



DIMENSION (Unit of mm.)



ACCESSORY



+ Installation Manual

UNIT PRICE : 3,000.-

Model

LC-WD-MB18-617Z-90

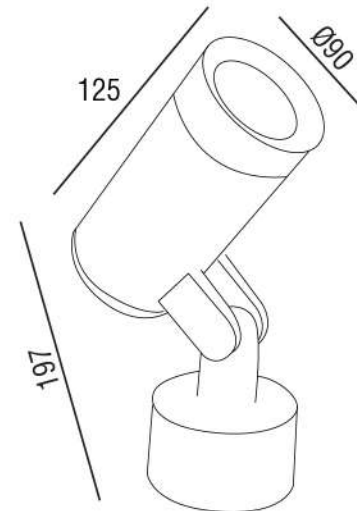
SPOTLIGHT



SPECIFICATION

Item No.	: LC-WD-MB18-617Z-90
Power	: 20W
Light source	: CREE LED
Lumen	: 2000 lm
Lumen/Watt	: 100 lm/W
CCT	: 3000K
CRI	: >80
Beam Angle	: 45°
Material	: Aluminium die-cast
Color	: Black
Paint method	: UV Powder coating
Optical cover	: Safety glass lens
Adjustable	: Yes
IP	: 65
Driver Type	: Built-in Driver
Surge Protection	: -
Power Voltage	: 100-240 VAC 50Hz
Power factor	: >0.96
Standard (Local)	: -
Applied	: -
Dimension (ØxLxH)	: Ø90×125×H197 mm.
Lifetime	: >50,000 hours
Craftwork	: fastening screws stainless steel nuts

DIMENSION (Unit mm.)



ACCESSORY



Plastic Plug x2



Nuts x2



Hex Wrench x2

UNIT PRICE : X,XXX,-

Model

POINTER

LED CEILING LUMINAIRE



Adjustable 20°

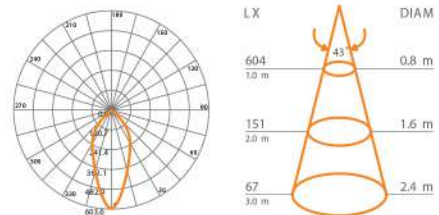


SPECIFICATION

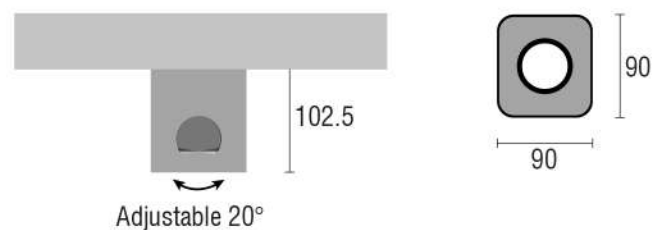
Item No.	: 2160103
Power	: 9W
Light source	: CREE LED
Lumen	: 900 lm
Lumen/Watt	: 100 lm/W
CCT	: 3000K
CRI	: > 80
Beam Angle	: 43°
Material	: Aluminium die-cast
Color	: Anthracite
Paint method	: UV Powder coating
Optical cover	: Safety glass lens
Adjustable	: Yes 20°
IP	: 65
Driver Type	: Built-in Driver
Surge Protection	: -
Power Voltage / THDi(%)	: 100-240 VAC 50Hz
Power factor	: > 0.96
Standard (Local)	: -
Applied	: -
Dimension (WxLxH)	: 90x90x102.5 mm.
Lifetime	: > 50,000 hours
Craftwork	: fastening screws stainless steel nuts
Other	: LED driver certified by Intertek

UNIT PRICE : 4,000.-

PHOTOMETRIC DATA



DIMENSION (Unit of mm.)



ACCESSORY



Plastic Plug x4



rubber stopper x2



Nuts x4



Hex Wrench x1

+ Installation Manual

Model

BRIGHTER

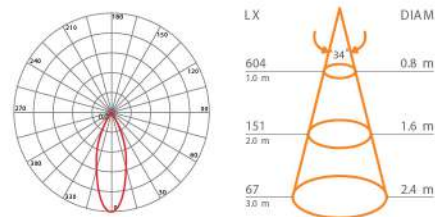
LED CEILING LUMINAIRE



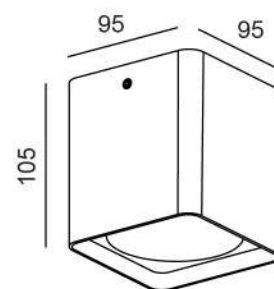
SPECIFICATION

Item No.	: H199103
Power	: 20W
Light source	: CREE LED
Lumen	: 2000 lm
Lumen/Watt	: 100 lm/W
CCT	: 3000K
CRI	: > 80
Beam Angle	: 34°
Material	: Aluminium die-cast
Color	: Anthracite
Paint method	: UV Powder coating
Optical cover	: Safety glass lens
Adjustable	: -
IP	: 65
Driver Type	: Built-in Driver
Surge Protection	: -
Power Voltage / THDi(%)	: 100-240 VAC 50Hz
Power factor	: > 0.96
Standard (Local)	: -
Applied	: -
Dimension (WxLxH)	: 95x95x105 mm.
Lifetime	: > 50,000 hours
Craftwork	: fastening screws stainless steel nuts
Other	: LED driver certified by Intertek

PHOTOMETRIC DATA



DIMENSION (Unit of mm.)



ACCESSORY



Plastic Plug x4



rubber stopper x2



Nuts x4



Hex Wrench x1

UNIT PRICE : 5,800.-

+ Installation Manual

Model

AVO ROUND

LED CEILING

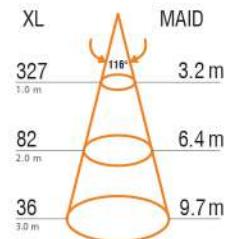
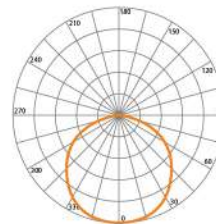


SPECIFICATION

Item No.	: 1020103
Power	: 18W
Light source	: CREE LED
Lumen	: 1800 lm
Lumen/Watt	: 100 lm/W
CCT	: 3000K
CRI	: >80
Beam Angle	: 116°
Material	: Aluminium die-cast
Color	: Anthracite
Paint method	: UV Powder coating
Optical cover	: Safety glass lens
Adjustable	: -
IP	: 54
Driver Type	: Built-in Driver
Surge Protection	: -
Power Voltage / THDi(%)	: 100-240 VAC 50Hz
Power factor	: >0.96
Standard (Local)	: -
Applied	: -
Dimension (ØxH)	: Ø250x68 mm.
Lifetime	: >50,000 hours
Craftwork	: fastening screws stainless steel nuts
Other	: LED driver certified by Intertek

UNIT PRICE : 4,200.-

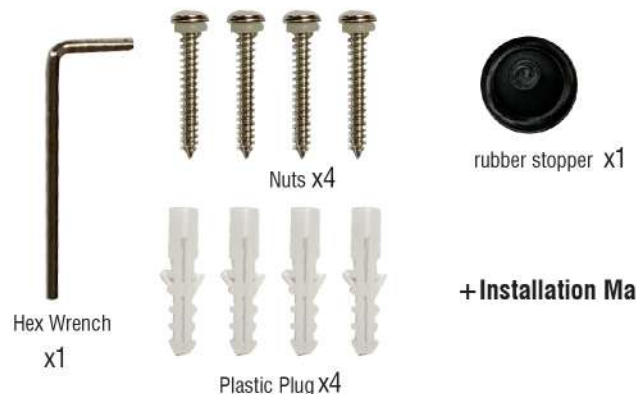
PHOTOMETRIC DATA



DIMENSION (Unit of mm.)



ACCESSORY



+ Installation Manual

Model

DRYUP

UNDERGROUND LIGHT

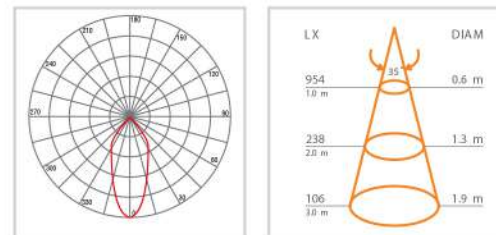


*Please contact our sale

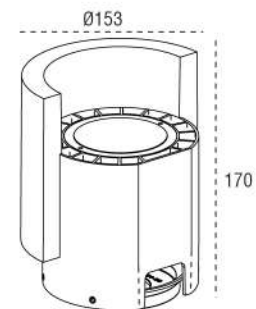
SPECIFICATION

Item No.	: 1800103
Power	: 15W
Light source	: CREE LED
Lumen	: 1500 lm
Lumen/Watt	: 100 lm/W
CCT	: 3000K
CRI	: >80
Beam Angle	: 35°
Material	: Aluminium die-cast
Color	: Anthracite
Paint method	: UV Powder coating
Optical cover	: Safety glass lens
Adjustable	: -
IP	: 65
Driver Type	: Built-in Driver
Surge Protection	: -
Power Voltage / THDi(%)	: 100-240 VAC 50Hz
Power factor	: >0.96
Standard (Local)	: -
Applied	: -
Dimension (ØxH)	: Ø153x170 mm.
Lifetime	: >50,000 hours
Craftwork	: fastening screws stainless steel nuts
Other	: LED driver certified by Intertek

PHOTOMETRIC DATA



DIMENSION (Unit of mm.)



ACCESSORY



+ Installation Manual

UNIT PRICE : 8,600.-

Model

SLOT

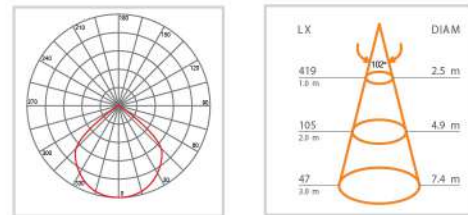
UNDERGROUND LIGHT



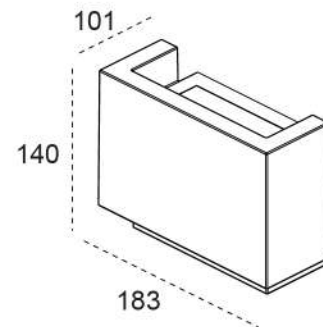
SPECIFICATION

Item No.	: 1800103
Power	: 15W
Light source	: CREE LED
Lumen	: 1500 lm
Lumen/Watt	: 100 lm/W
CCT	: 3000K
CRI	: >80
Beam Angle	: 102°
Material	: Aluminium die-cast
Color	: Anthracite
Paint method	: UV Powder coating
Optical cover	: Safety glass lens
Adjustable	: -
IP	: 65
Driver Type	: Built-in Driver
Surge Protection	: -
Power Voltage / THDi(%)	: 100-240 VAC 50Hz
Power factor	: >0.96
Standard (Local)	: -
Applied	: -
Dimension (WxLxH)	: 101x183x140 mm.
Lifetime	: >50,000 hours
Craftwork	: fastening screws stainless steel nuts
Other	: LED driver certified by Intertek

PHOTOMETRIC DATA



DIMENSION (Unit of mm.)



ACCESSORY



+ Installation Manual

UNIT PRICE : 8,600.-

Model

WALKER

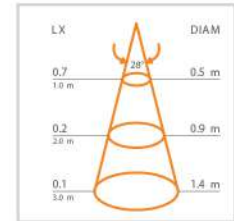
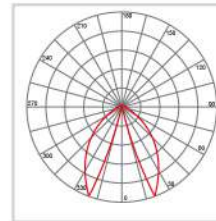
Wall&Post light



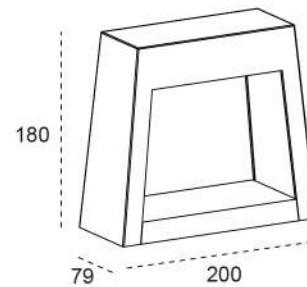
SPECIFICATION

Item No.	: 1790103
Power	: 18W
Light source	: CREE LED
Lumen	: 1800 lm
Lumen/Watt	: 100 lm/W
CCT	: 3000K
CRI	: >80
Beam Angle	: 28°
Material	: Aluminium die-cast
Color	: Anthracite
Paint method	: UV Powder coating
Optical cover	: Safety glass lens
Adjustable	: -
IP	: 65
Driver Type	: Built-in Driver
Surge Protection	: -
Power Voltage / THDi(%)	: 100-240 VAC 50Hz
Power factor	: >0.96
Standard (Local)	: -
Applied	: -
Dimension (WxLxH)	: 79x200x180 mm.
Lifetime	: >50,000 hours
Craftwork	: fastening screws stainless steel nuts
Other	: LED driver certified by Intertek

PHOTOMETRIC DATA



DIMENSION (Unit of mm.)



ACCESSORY

+ Installation Manual



UNIT PRICE : 4,000.-



Model

LC-WD-MB18-QJ17

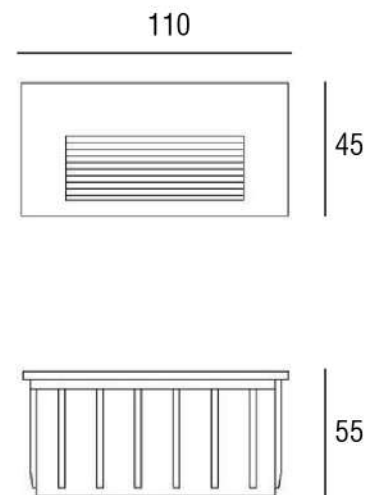
STEPLIGHT



SPECIFICATION

Item No.	: LC-WD-MB18-QJ17
Power	: 3W
Light source	: LED CREE
Lumen	: 300 lm
Lumen/Watt	: 100 lm/W
CCT	: 3000K
CRI	: >80
Material	: Aluminum+ glass
Color	: Black
Adjustable	: -
IP	: 65
Input Voltage	: 220-240V~50hz
Power factor	: >0.96
Dimention (WxLxH)	: 110×55×H45 mm.
Cut Out (WxLxH)	: 105×43×50 mm.

DIMENSION (Unit mm.)



UNIT PRICE : 1,500.-

Model

STEP LIGHT

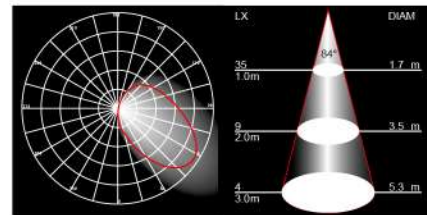
STEP LIGHT



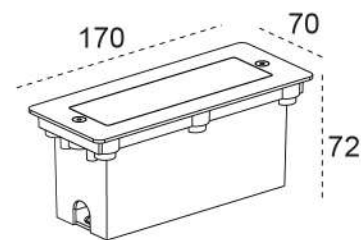
SPECIFICATION

Item No.	: 279103-LED
Power	: 3W
Light source	: CREE LED
Lumen	: 300 lm
Lumen/Watt	: 100 lm/W
CCT	: 3000K
CRI	: >80
Beam Angle	: 84°
Material	: 304 grade stainless steel cover
Color	: Aluminium body
Paint method	: -
Optical cover	: Frost PC diffuser
Adjustable	: -
IP	: 65
Driver Type	: Built-in Driver
Surge Protection	: -
Power Voltage / THDi(%)	: 100-240 VAC 50Hz
Power factor	: >0.96
Standard (Local)	: -
Applied	: -
Dimension (WxLxH)	: 72x70x170 mm.
Lifetime	: >50,000 hours
Craftwork	: fastening screws stainless steel nuts
Other	: LED driver certified by Intertek

PHOTOMETRIC DATA



DIMENSION (Unit of mm.)



ACCESSORY



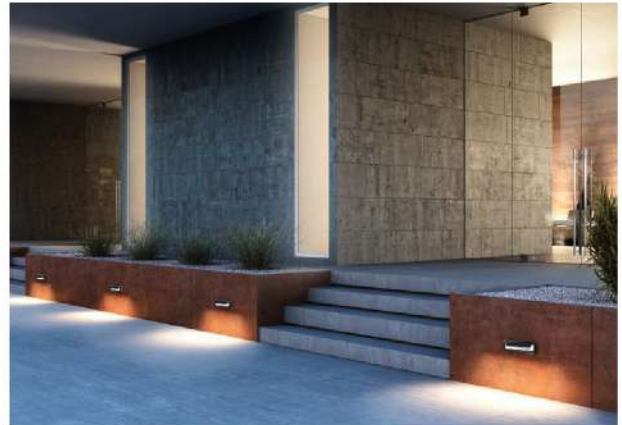
+ Installation Manual

UNIT PRICE : 4,000.-

Model

TRICK

LED STEP LIGHT

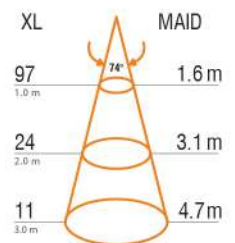
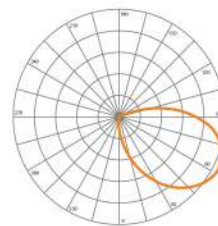


SPECIFICATION

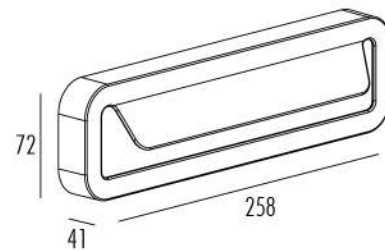
Item No.	: 1820103
Power	: 15W
Light source	: CREE LED
Lumen	: 1500 lm
Lumen/Watt	: 100 lm/W
CCT	: 3000K
CRI	: >80
Beam Angle	: 74°
Material	: Aluminium die-cast
Color	: Anthracite
Paint method	: UV Powder coating
Optical cover	: Safety glass lens
Adjustable	: -
IP	: 65
Driver Type	: -
Surge Protection	: -
Power Voltage / THDi(%)	: 100-240 VAC 50Hz
Power factor	: >0.96
Standard (Local)	: -
Applied	: -
Dimension (WxLxH)	: 41×258x72 mm.
Lifetime	: >50,000 hours
Craftwork	: fastening screws stainless steel nuts
Other	: AC LED, without driver

UNIT PRICE : 4,500.-

PHOTOMETRIC DATA



DIMENSION (Unit of mm.)



ACCESSORY



+ Installation Manual

Model

LC-WALL LAMP E001

WALL LIGHTS

4w
400lm

IP65

STAINLESS
STEEL

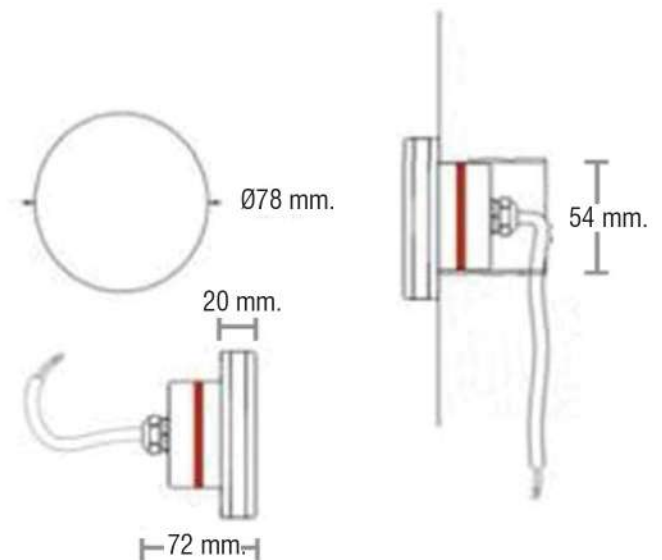
WHITE
COLOR



SPECIFICATION

Model	: LC-WALL LAMP E001
Color	: White
Size	: Ø78 x H72 mm.
Light Source	: LED 4W
CCT	: 3000K
Input Voltage	: DC24V
Lumen	: 400 lm
Material	: Stainless steel + Optical lens. Exposed fastening screws Powder coated with pretreatment for outdoor use
IP	: 65

DIMENSION (Unit of mm.)



UNIT PRICE : 3,500.-

Model

DUAL MINI

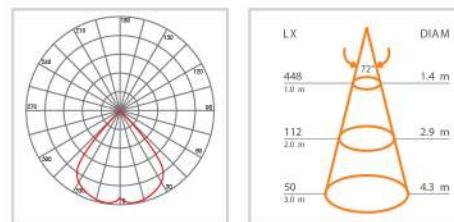
LED WALL LUMINAIRE



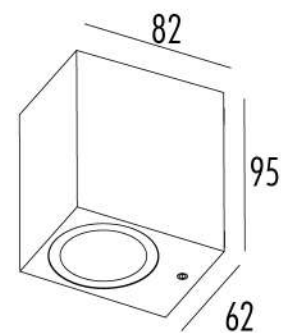
SPECIFICATION

Item No.	: H262203
Power	: 7W
Light source	: CREE LED
Lumen	: 700 lm
Lumen/Watt	: 100 lm/W
CCT	: 3000K
CRI	: >80
Beam Angle	: 72°
Material	: Aluminium die-cast
Color	: Anthracite
Paint method	: UV Powder coating
Optical cover	: Safety glass lens
Adjustable	: -
IP	: 65
Driver Type	: Built-in Driver
Surge Protection	: -
Power Voltage / THDi(%)	: 100-240 VAC 50Hz
Power factor	: >0.96
Standard (Local)	: -
Applied	: -
Dimension (WxLxH)	: 62x82x95 mm.
Lifetime	: >50,000 hours
Craftwork	: fastening screws stainless steel nuts
Other	: LED driver certified by Intertek

PHOTOMETRIC DATA



DIMENSION (Unit of mm.)



ACCESSORY



+ Installation Manual

UNIT PRICE : 3,900.-

Model

ILOS

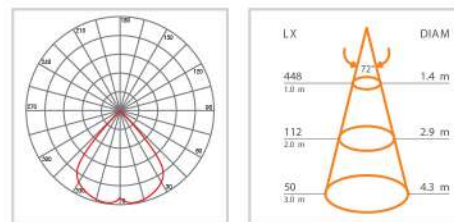
WALL LIGHT



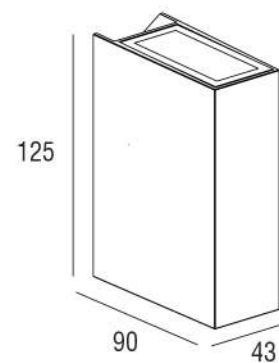
SPECIFICATION

Item No.	: 1130103
Power	: 2x4.5W
Light source	: CREE LED
Lumen	: 2x450lm
Lumen/Watt	: 100 lm/W
CCT	: 3000K
CRI	: >80
Beam Angle	: 50°
Material	: Aluminium die-cast
Color	: Anthracite
Paint method	: UV Powder coating
Optical cover	: Safety glass lens
Adjustable	: -
IP	: 65
Driver Type	: Built-in Driver
Surge Protection	: -
Power Voltage / THDi(%)	: 100-240 VAC 50Hz
Power factor	: >0.96
Standard (Local)	: -
Applied	: -
Dimension (WxLxH)	: 90x43x125mm.
Lifetime	: >50,000 hours
Craftwork	: fastening screws stainless steel nuts
Other	: LED driver certified by Intertek

PHOTOMETRIC DATA



DIMENSION (Unit of mm.)



ACCESSORY



+ Installation Manual

UNIT PRICE : 3,900.-

Model

VIDO GROUND TOP

POST LIGHT



LAMP
E27

IP65

DIE-CAST
ALUMINIUM

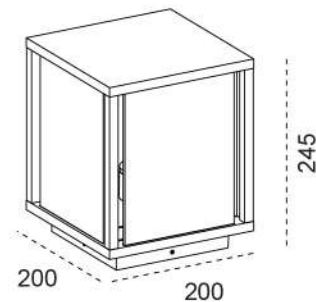
ANTHRACITE
COLOR



SPECIFICATION

Item No.	: 146403
Power	: MAX.15 WATT (A60)
Light source	: 1XE27
Lumen	: -
Lumen/Watt	: -
CCT	: -
CRI	: >80
Beam Angle	: -
Material	: Aluminium die-cast
Color	: Anthracite
Paint method	: UV Powder coating
Optical cover	: Clear glass
Adjustable	: -
IP	: 65
Driver Type	: -
Surge Protection	: -
Power Voltage / THDi(%)	: 220V-240V~ 50Hz
Power factor	: >0.96
Standard (Local)	: -
Applied	: -
Dimension (WxLxH)	: 200x200x245mm.
Lifetime	: >50,000 hours
Craftwork	: fastening screws stainless steel nuts
Other	: -

DIMENSION (Unit of mm.)



ACCESSORY



UNIT PRICE : 4,700.-

Model

VIDO

WALL LIGHT



LAMP
E27

IP65

DIE-CAST
ALUMINIUM

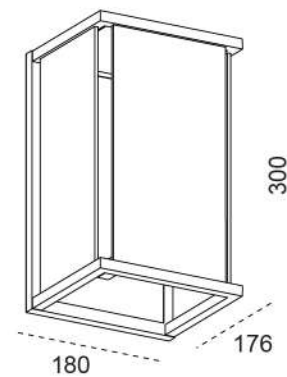
ANTHRACITE
COLOR



SPECIFICATION

Item No.	: 146103
Power	: MAX.15 WATT (A60)
Light source	: 1XE27
Lumen	: -
Lumen/Watt	: -
CCT	: -
CRI	: >80
Beam Angle	: -
Material	: Aluminium die-cast
Color	: Anthracite
Paint method	: UV Powder coating
Optical cover	: Clear glass
Adjustable	: -
IP	: 65
Driver Type	: -
Surge Protection	: -
Power Voltage / THDi(%)	: 220V-240V~ 50Hz
Power factor	: >0.96
Standard (Local)	: -
Applied	: -
Dimension (WxLxH)	: 180x176x300 mm.
Lifetime	: >50,000 hours
Craftwork	: fastening screws stainless steel nuts
Other	: -

DIMENSION (Unit of mm.)



ACCESSORY



UNIT PRICE : 4,700.-

Model

VIDO WALL MAXI

WALL LIGHT

LAMP
E27

IP65

DIE-CAST
ALUMINIUM

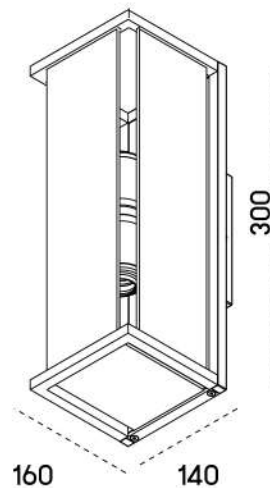
ANTHRACITE
COLOR



SPECIFICATION

Item No.	: 146203
Power	: MAX.15 WATT (A60)
Light source	: 2XE27
Lumen	: -
Lumen/Watt	: -
CCT	: -
CRI	: >80
Beam Angle	: -
Material	: Aluminium die-cast
Color	: Anthracite
Paint method	: UV Powder coating
Optical cover	: Clear glass
Adjustable	: -
IP	: 65
Driver Type	: -
Surge Protection	: -
Power Voltage / THDi(%)	: 220V-240V~ 50Hz
Power factor	: >0.96
Standard (Local)	: -
Applied	: -
Dimension (WxLxH)	: 140x160x300 mm.
Lifetime	: >50,000 hours
Craftwork	: fastening screws stainless steel nuts
Other	: -

DIMENSION (Unit of mm.)



ACCESSORY



UNIT PRICE : 5,200.-



Model

VIDO ULTRA WALL LIGHT

WALL LIGHT



E27
LAMP

IP65

DIE-CAST
ALUMINIUM

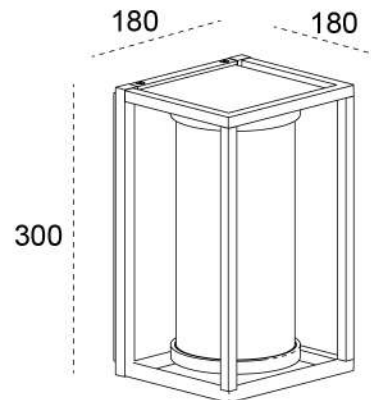
ANTHRACITE
COLOR



SPECIFICATION

Item No.	: H3031-AN
Power	: MAX.15 WATT (A60)
Light source	: 1XE27
Lumen	: -
Lumen/Watt	: -
CCT	: -
CRI	: >80
Beam Angle	: -
Material	: Aluminium die-cast
Color	: Anthracite
Paint method	: UV Powder coating
Optical cover	: Clear glass
Adjustable	: -
IP	: 65
Driver Type	: -
Surge Protection	: -
Power Voltage / THDi(%)	: 220V-240V~ 50Hz
Power factor	: >0.96
Standard (Local)	: -
Applied	: -
Dimension (WxLxH)	: 180x180x300mm.
Lifetime	: >50,000 hours
Craftwork	: fastening screws stainless steel nuts
Other	: -

DIMENSION (Unit of mm.)



ACCESSORY



UNIT PRICE : 4,700.-



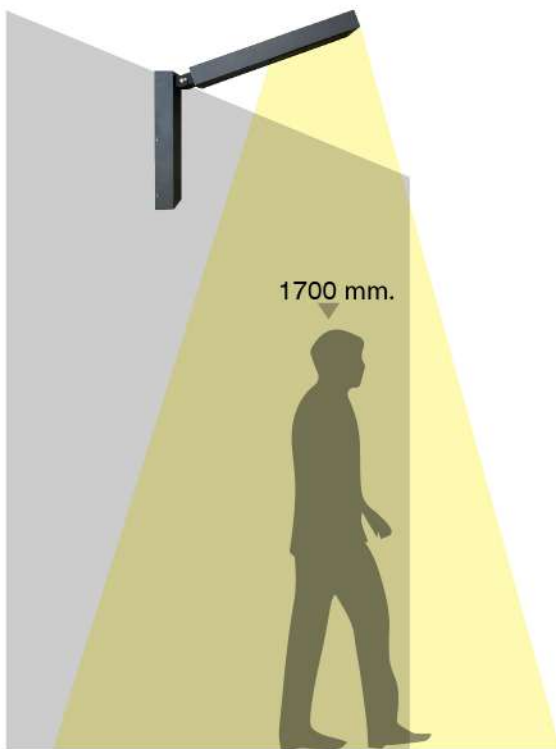
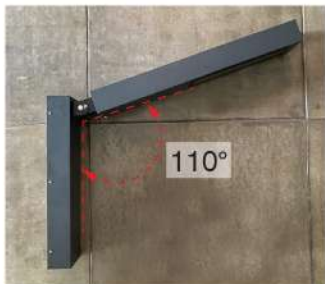
adjustable headlamp
reduce back light (bug rating)
conforming to LEED



Model

LC-WD-B135-ADJUST

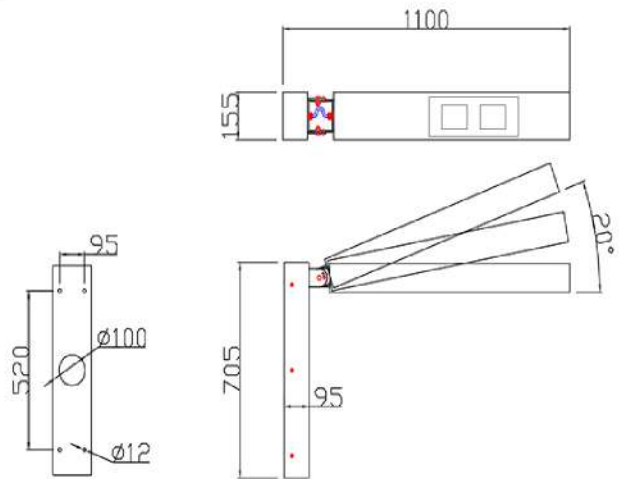
WALL LAMP



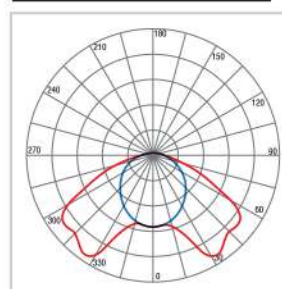
SPECIFICATION

Type	: Wall Lamp
Size	: H 705mm.
Light Source	: lumileds (Philips) LED 60W
Beam Angle	: 152°x 72°
Led Efficiency	: 116 lm/w 6960lm
CCT	: 4000K
Input Voltage	: 220-240V AC 50/60Hz
Power Supply	: Meanwell Driver
Material	: Good quality aluminum. Tempered clear glass. Diffuser 304 stainless steel.screws,nutis UV Powder coating (UV Protected), Anti-rotten/acid.alkali.thickness≥80um, fastening screws, nuts of stainless steel (exposed).
Craftwork	: UV Powder coating (UV Protected), Anti-rotten/acid.alkali.thickness≥80um, fastening screws, nuts of stainless steel (exposed).
IP	: 65
Color	: Matt Anthracite (V322401S)

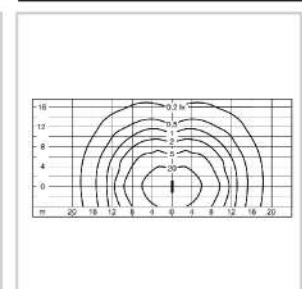
DIMENSIONS (Unit of mm.)



PHOTOMETRIC DATA



LIGHT DISTRIBUTION



UNIT PRICE : X,XXX.-

Model

H121103 , H121203



INGROUND

strongest led in ground on the market

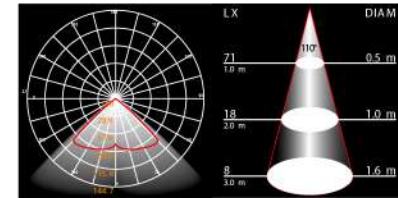
7w
700lm



H121103 (1660103)



PHOTOMETRIC DATA H121103



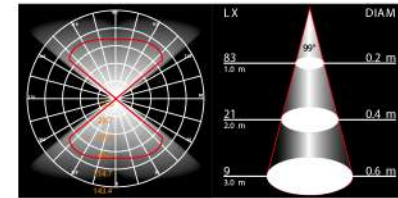
2x7w
1400lm



H121203



PHOTOMETRIC DATA H121203



SPECIFICATION

Power	: 7W, 2x7W
Light source	: CREE LED
Lumen	: 700 lm, 2x700lm
Lumen/Watt	: 100 lm/W
CCT	: 3000K
CRI	: >80
Beam Angle	: 110°
Materials	: Aluminium die-Cast
Color	: Anthracite
Paint method	: UV Powder coating
Optical cover	: Polycarbonate
Adjustable	: No
IP	: 67
Driver Type	: Internal Driver
Surge Protection	: -
Power Voltage / THDi(%)	: 200-240 VAC 50Hz
Power factor	: >0.96
Standard (Local)	: -
Applied	: -
Dimension (ØxH)	: Ø125x140 mm.
Lifetime	: >50,000 hours

DIMENSION (Unit of mm.)



- Body and bracket in die-cast aluminium
- Powder coated with pretreatment for outdoor use
- Clear PC
- Silicon rubber gasket
- Recessed plastic box
- 500kg static weight allowed
- LED driver certified by Intertek



H121103

UNIT PRICE : 5,200.-

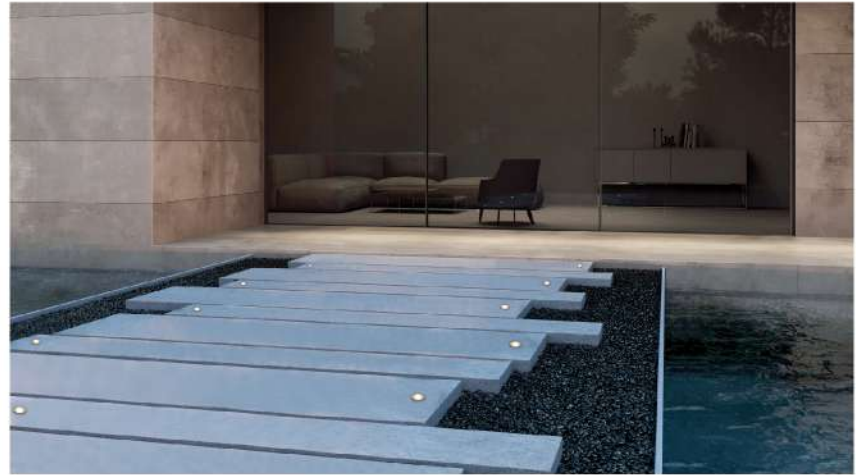
H121203

UNIT PRICE : 5,200.-

Model

UP

INGROUND

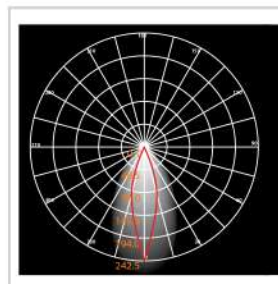


SPECIFICATION

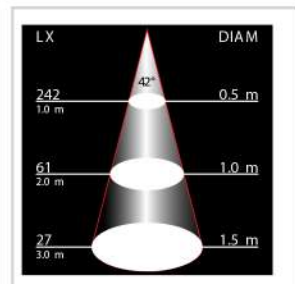
Power	: 1W
Light source	: CREE LED
Lumen	: 100 lm
Lumen/Watt	: 100 lm/W
CCT	: 3000K
CRI	: >80
Beam Angle	: 42°
Materials	: Stainless Steel
Color	: Stainless Steel
Paint method	: -
Optical cover	: Step tempered glass
Adjustable	: No
IP	: 67
Driver Type	: Remote-Driver
Surge Protection	: -
Power Voltage / THDi(%)	: 200-240 VAC 50Hz , <15%
Power factor	: >0.96
Standard (Local)	: -
Applied	: -
Dimension (ØxH)	: Ø45x64 mm.
Lifetime	: >50,000 hours

- 304 grade stainless steel cover in 4mm thickness,
- body in die-cast aluminium
- Tempered frost glass in 4mm thickness
- Silicon rubber gasket
- Recessed plastic box
- 500kg static weight allowed

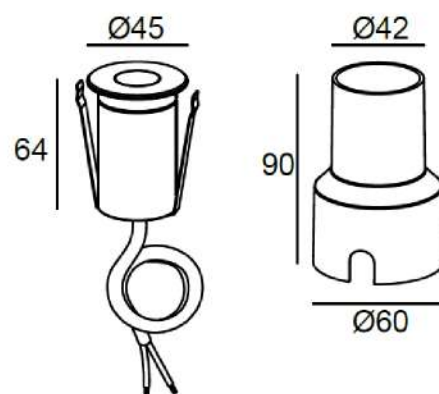
PHOTOMETRIC DATA



LIGHT DISTRIBUTION



DIMENSION (Unit mm.)



UNIT PRICE : 2,700.-



Model

LC-UL-1001-0300-B

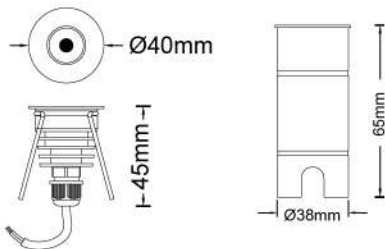
INGROUND



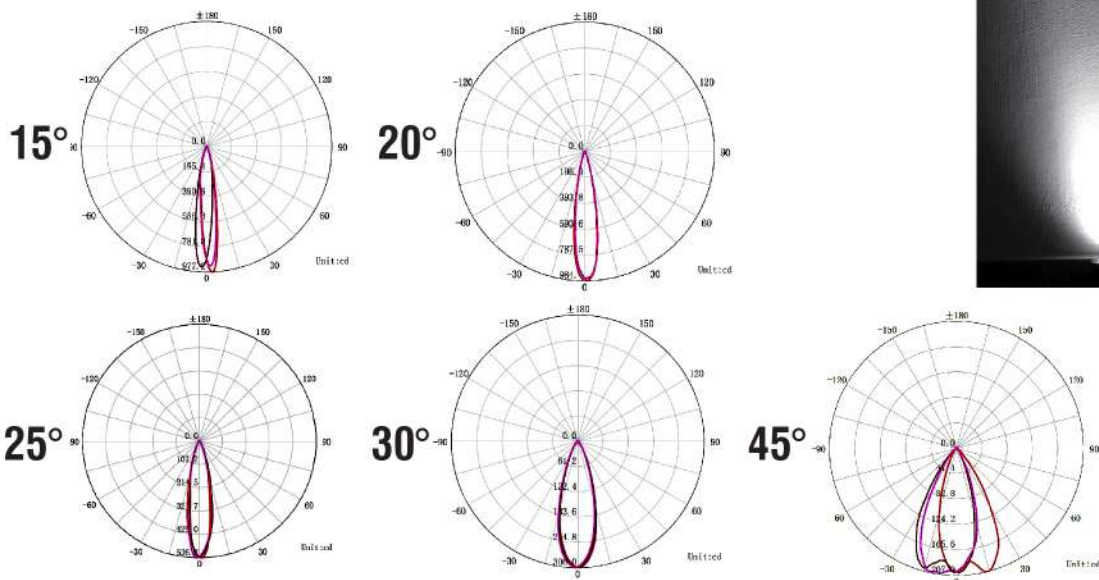
HOUSING



DIMENSION



PHOTOMETRIC DATA



SPECIFICATION

Power	: 3W
Light source	: CREE LED
Lumen	: 300 lm
Lumen/Watt	: 100 lm/W
CCT	: 3000K
CRI	: >80
Beam Angle	: 25°
Materials	: Stainless Steel 316
Color	: Stainless Steel
Paint method	: -
Optical cover	: Step tempered glass
Adjustable	: No
IP	: 67
Driver Type	: Remote-Driver
Surge Protection	: -
Power Voltage / THDi(%)	: 200-240 VAC 50Hz , <15%
Power factor	: >0.96
Standard (Local)	: -
Applied	: -
Dimension (ØxH)	: Ø40x45 mm.
Lifetime	: >50,000 hours

ACCESSORIES

- Mounting Sleeve** : Passivated (Anodizing) Aluminum CNC machined .Dark grey
- Clip** : With Aluminium spring that's for deck lights or ceiling lights application

ILLUMINATION PICTURE



UNIT PRICE : 3,000.-

Model

LC-U1-7480

UNDER WATER SPOTLIGHT

3.1W
360lm

IP68

MARINE
GRADE 316

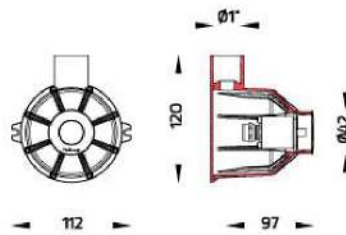
STAINLESS
STEEL
COLOR



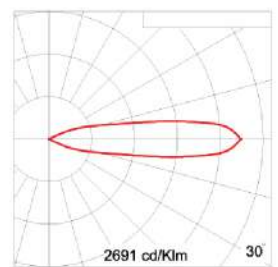
SPECIFICATION

Application Type	: UNDER WATER SPOTLIGHT
Product Name	: LUCE LC-U1-7480
Lamp Type	: LED
Socket	: N/A
Watt	: 3.1 W(12Vdc)
IP	: 68
Lumen	: 360 lm
Beam Angle	: 19°
CCT	: 3000K
Material	: Marine Grade 316 Stainless Steel Body

DIMENSION (Unit of mm.)



PHOTOMETRIC DATA



ACCESSORIES



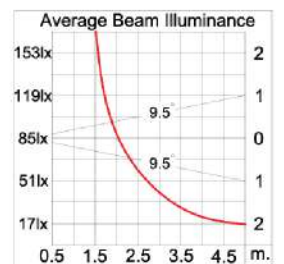
LED Constant Voltage Driver
12Vdc 10W. In IP67 GFR
Polymer Box



IP68 "Series-Wiring LED"
Distribution Box for 1-3
Luminaires.



Housing



UNIT PRICE : 7,800.-

Model

LC-U1-7416

UNDER WATER SPOTLIGHT

12w
1290lm

IP68

MARINE
GRADE 316

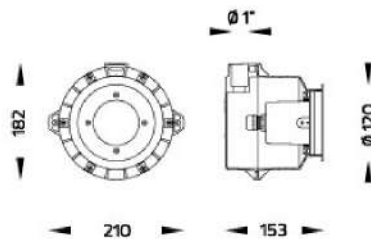
STAINLESS
STEEL
COLOR



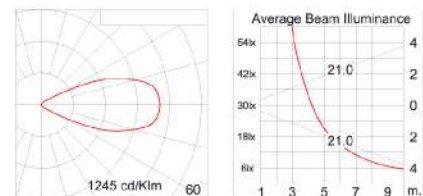
SPECIFICATION

Lamp	: LED
Beam Angle	: 42°
CCT	: 3000K
CRI	: >80
Sdcm	: =3
Lamp Lumen	: 1290 lm
Lamp Wattage	: 12 W(24Vdc)
Ambient Temperature	: 50°C
Lumen Maintenance	: L70B10 >66,000 h
Controller	: Remote driver On-Off
Input Voltage	: 24Vdc
Net Weight	: 1.80 kg.

DIMENSION (Unit of mm.)



PHOTOMETRIC DATA



ACCESSORIES



Gel-Filled IP68 Connector
for Through Wiring Cable
Diameter 6.5 - 12mm.



LED Constant Voltage
Driver 24Vdc

UNIT PRICE : 13,000.-

Model

LC-U1-7417

UNDER WATER SPOTLIGHT

12w
1290lm

IP68

MARINE
GRADE 316

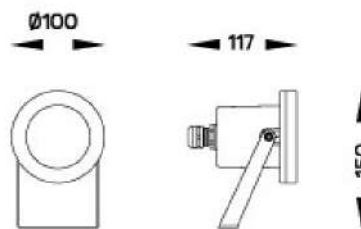
STAINLESS
STEEL
COLOR



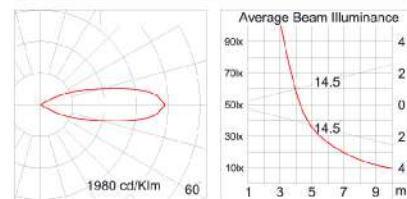
SPECIFICATION

Lamp	: LED
Beam Angle	: 29°
CCT	: 3000K
CRI	: >80
Sdcm	: = 3
Lamp Lumen	: 1290 lm
Lamp Wattage	: 12 W(24Vdc)
Ambient Temperature	: 50°C
Lumen Maintenance	: L70B10 > 66,000 h
Controller	: Remote driver On-Off
Input Voltage	: 24Vdc

DIMENSION (Unit of mm.)



PHOTOMETRIC DATA



ACCESSORIES



Gel-Filled IP68 Connector
for Through Wiring Cable
Diameter 6.5 - 12mm.



LED Constant Voltage
Driver 24Vdc

UNIT PRICE : 12,000.-

Model

LC-U1-7481

UNDER WATER SPOTLIGHT

2w
240 lm

IP68

MARINE
GRADE 316

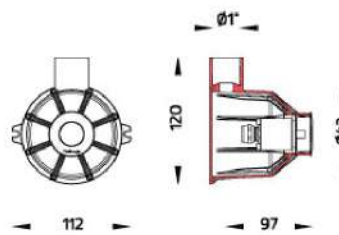
STAINLESS
STEEL
COLOR



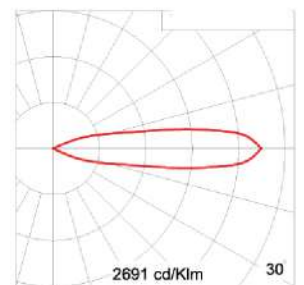
SPECIFICATION

Lamp	: LED
Beam Angle	: 19°
CCT	: 3000K
CRI	: > 80
Sdcm	: = 3
Lamp Lumen	: 240lm
Lamp Wattage	: 2 W(700mA)
Ambient Temperature	: 50°C
Lumen Maintenance	: L70B10 >66,000 h
Controller	: Remote driver On-Off
Input Voltage	: 700mA, 2.9Vdc, Uin max 30V

DIMENSION (Unit of mm.)



PHOTOMETRIC DATA

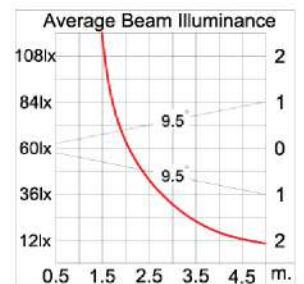


ACCESSORIES



LED Constant Current Driver
700mA 4W. In IP67 GFR
Polymer Box

IP68 "Series-Wiring LED"
Distribution Box for 1-3
Luminaires.



UNIT PRICE : xx,xxx.-

Model

LC-U1-5980

UNDERWATER SPOTLIGHT

2w
240 lm

IP68

MARINE
GRADE 316

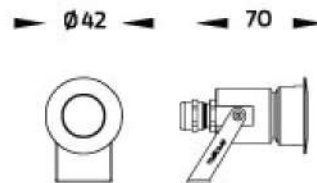
STAINLESS
STEEL
COLOR



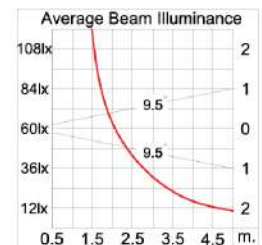
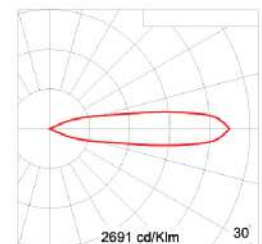
SPECIFICATION

Model : LC-U1-5980
Lamp : LED
Cct : 3000K
Socket : SOCKET
Watt : 2W(700mA)
Lumen : 240 lm
Beam Angle : 30°

DIMENSION (Unit of mm.)



PHOTOMETRIC DATA



ACCESSORIES



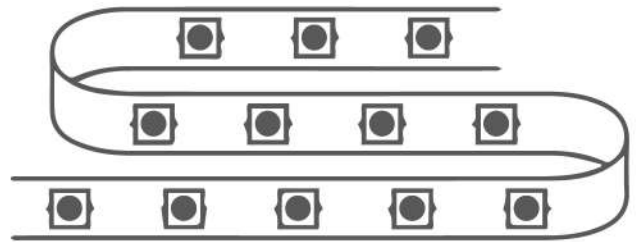
LED Constant Current Driver
700mA 4W. In IP67 GFR
Polymer Box



IP68 "Series-Wiring LED"
Distribution Box for 1-3
Luminaires.

UNIT PRICE : xx,xxx.-

LED STRIP



Model

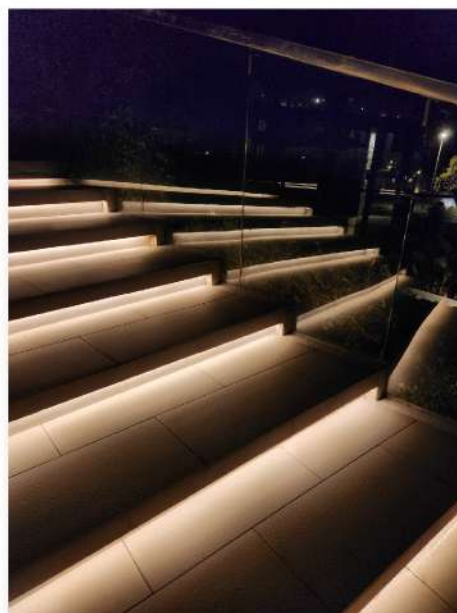
LC-LED STRIP-7.2W

LED STRIP

7.2
Watt/m.



30 pcs. LED/Meter



SPECIFICATION

TYPE : 5050 LED
LED FLEX STRIP
TECHNICAL PARAMETERS
MODEL NO. CODE REFERENCE
GL-S5050W-30X

WATERPROOF RATE

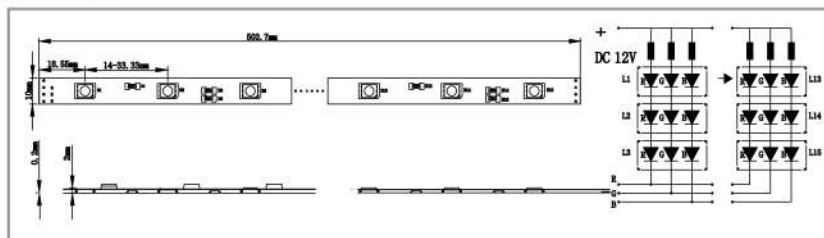
T : IP67
P : IP68

LED QUANTITY
COLOR
W = WHITE
WW = WARM WHITE

WORKING : 12V/24V DC
LED LIGHT SOURCE : 5050 SMD LED
VIEWING ANGLE : 120 DEGREE
PAGE : 5M. / REEL
LED QUANTITY : 30 pcs. LED/M.

DIMENSION

unit of mm.



ACCESSORIES LED STRIP



MODEL : Aluminium C Tack L : 1 m.



Y-A002-F Aluminium cover L : 1 m.

PART NO.	EMITTING COLOR	LED Q'TY PER METER(PCS)	COLOR TEMPERATURE	POWER (W/m)	VOLTAGE	UNIT PRICE
GL-S5050W-30X	White	30	5000-7000 K	7.2	12V DC	600.-
GL-S5050WW-30X	Warm White	30	2500-3500 K	7.2	12V DC	600.-
GL-S5050RGB-30X	RGB	30	RGB	7.2	12V DC	800.-

Model

LC-LED STRIP-14.4W

LED STRIP

14.4
Watt/m.



60 pcs. LED/Meter



SPECIFICATION

TYPE : 5050 LED
LED FLEX STRIP
TECHNICAL PARAMETERS
MODEL NO. CODE REFERENCE
GL-S5050W-60X

WATERPROOF RATE

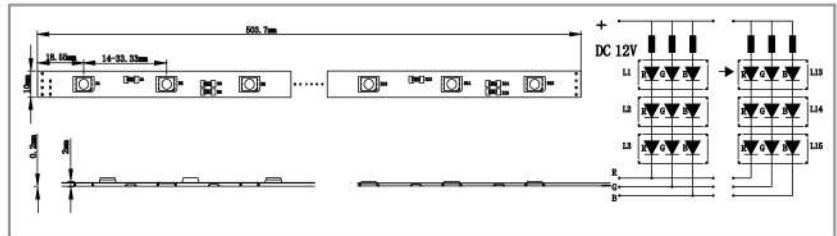
T : IP67
P : IP68

LED QUANTITY
COLOR
W = WHITE
WW = WARM WHITE

WORKING : 12V/24V DC
LED LIGHT SOURCE : 5050 SMD LED
VIEWING ANGLE : 120 DEGREE
PACGE : 5M. / REEL
LED QUANTITY : 60 pcs. LED/M.

DIMENSION

unit of mm.



ACCESSORIES LED STRIP



MODEL : Aluminium C Tack L : 1 m.



Y-A002-F Aluminium cover L : 1 m.

PART NO.	EMITTING COLOR	LED Q'TY PER METER(PCs)	COLOR TEMPERATURE	POWER (W/m)	VOLTAGE	UNIT PRICE
GL-S5050 W -60X	White	60	6500K	14.4	12V DC	800.-
GL-S5050 CW -60X	Cool White	60	4000K	14.4	12V DC	800.-
GL-S5050 WW -60X	Warm White	60	3000K	14.4	12V DC	800.-
GL-S5050 RGB -60X	RGB	60	RGB	14.4	12V DC	1,000.-

Model

LC-LED STRIP-4.8W

LED STRIP

4.8
Watt/m.

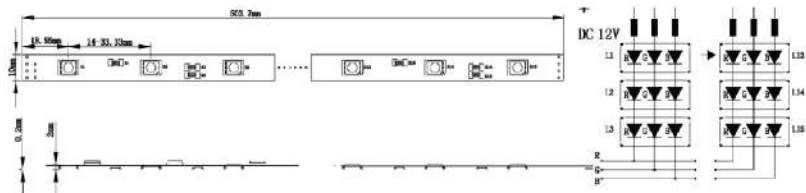


SPECIFICATION

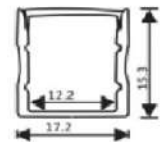
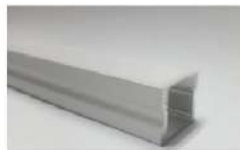
POWER(WATT/M)	:	4.8W
VOLTAGE(V)	:	12V/24V DC
CRI	:	-
LED LIGHT SOURCE	:	3528 LED
SIZE(mm.)	:	2x503.7mm.
LENGTH/REEL(m.)	:	5m.
LED QUANTITY	:	30 pcs. LED/m.
IP	:	20, 67, 68
CCT	:	3000K

DIMENSION

unit of mm.



ACCESSORIES LED STRIP



MODEL : Y-A004-F 313 ALUMINIUM TRACK

PMMA OPAL MATTE DIFFUSER L :1M.

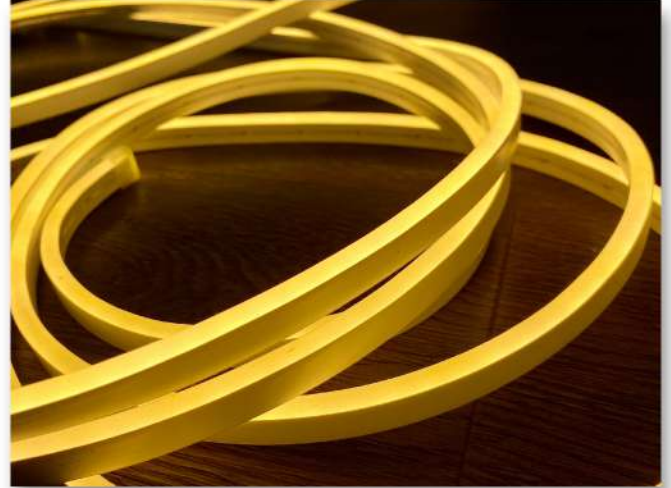
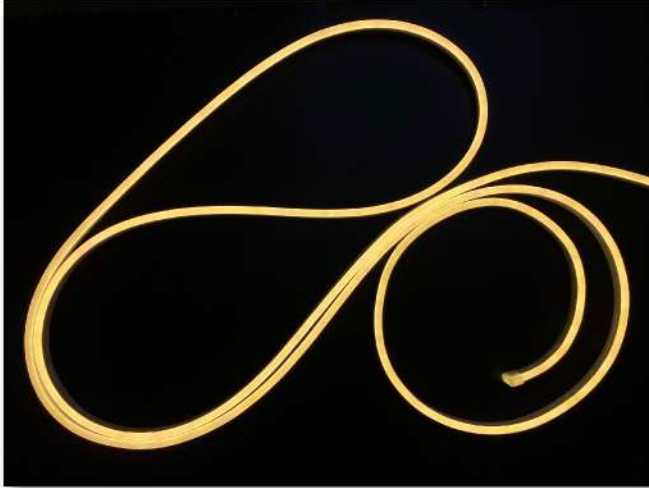
UNIT PRICE : X,XXX.-

Model

LC-LED NEON FLEX 12V

LED STRIP

6
Watt/m.



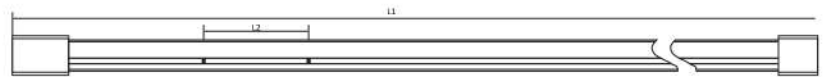
SPECIFICATION

POWER(WATT/M)	: 6
VOLTAGE(V)	: 12
CRI	: 70/80
LED TYPE	: 2835
SIZE(MM.)	: 5x12mm.
LENGTH/REEL(M)	: 5/100
MATERIAL	: Robust housing with high quality silicon, UV proof for true outdoor application
IP	: 67
CCT	: 3000K



DIMENSION

unit of mm.



	0512	Tolerance
L1(m)	5/100	±5
L2 (mm)	25/50	±1

Remark: L1=Length/Reel, L2=Cutting unit

ACCESSORIES LED STRIP



End Cap



Cliplock

Model

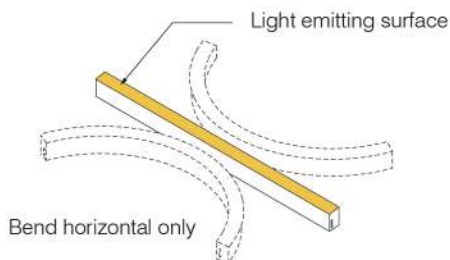
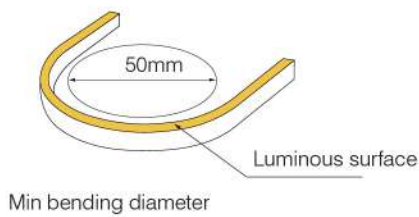
LC-LUX-N0612V24-CV N0612 SIDE VIEW

LED STRIP



IP67

10
Watt/m.



Horizontal Bending	Vertical Bending	Only One Bin
3-Step MacAdam	UV Protection	Resistant to solvents
IP67 Waterproof Grade	LM80 LM80 Standard	Resistant Saltwater

Finished CCT (K)	Unit cut (mm.)	CRI	Power (W)	Lumen (LM/m.)	Efficacy (LM/w.)	Max.run length(m.)	CV/CC
3000 ±100	50	>90	10	299	29.9	10	CV/CC

ELECTRICAL PARAMETER

Voltage	DC24V
LED PIN Temperature	Max. 65 °C
Storage Temperature	-25°C ~ 60°C
Ambient Temperature	Min.-25°C, Max(Table below)
CRI	>90

CUTTING MARK



The bottom of the led strip has transparent window, the black marker is the cutting position

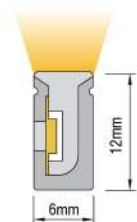
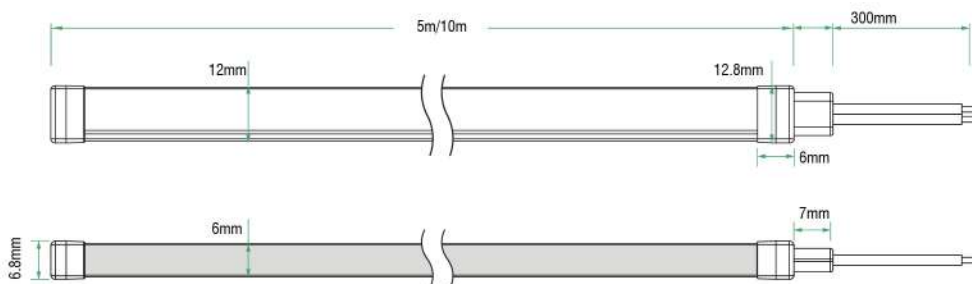
MOUNTING WAYALUMINIUM



Aluminium mounting clips
19.7x8x13mm(L x W x H)

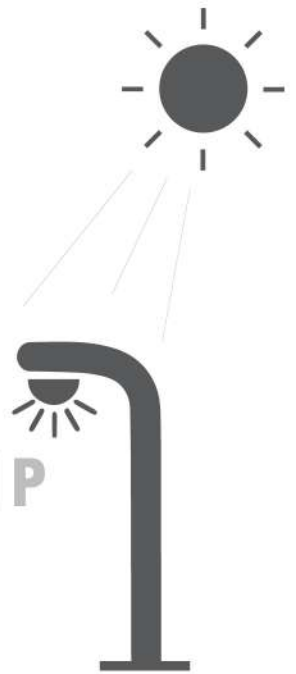
Aluminium profile
1000x8x13mm(L x W x H)

DIMENSION



Across section size's picture

SOLAR CELL LAMP



Model

SUNLITE WALL

WALL LIGHT SOLAR

MONOCRYSTALLINE SOLAR TYPE

SOLAR LAMP

2.2w
220lm

IP65

DIE-CAST ALUMINIUM

ANTHRACITE COLOR

SOLAR LUMINAIRE



1x2200mAh lithium battery Charge: 6-8H (sunshine) Work time: 100% of light 2.5-3H, 15% of light 20H-25H



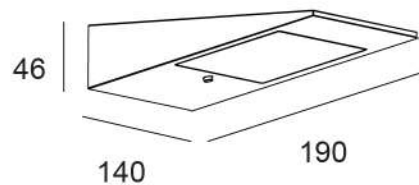
SPECIFICATION

Item No.	: H6041
Watt	: 2.2W
Luminous	: 220 lm
CCT	: 3000K
Beam Angle	: 107°
CRI	: 85
Input	: DC 3.7V (Solar panel only)
IP	: 65
Color	Anthracite

- Body and bracket in die-cast aluminium
- Powder coated with pretreatment for outdoor use
- Clear PC
- 2 Watt solar panel
- Silicon rubber gasket
- 1x2200mAh lithium battery
- Charge:6-8H (sunshine)
- Work time: 100% of light 2.5-3H,15% of light 20H~25H

UNIT PRICE : 3,500.-

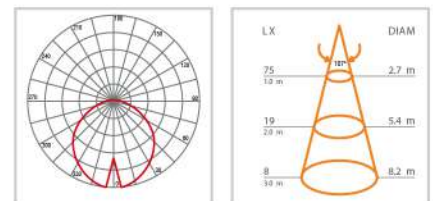
DIMENSION Unit of mm.



SOLAR PANEL

TYPE	MONOCRYSTALLINE SILICON SOLAR CELLS
MATERIAL	SILICON
POWER EFFICIENCY	17%- 20%
LIFETIME	25year+

PHOTOMETRIC DATA



ACCESSORY



Hex Wrench Nuts Plastic Plug

+ Installation Manual

Model
LONDON

WALL LIGHT SOLAR

MONOCRY
STALLINE
SOLAR TYPE

SOLAR LAMP

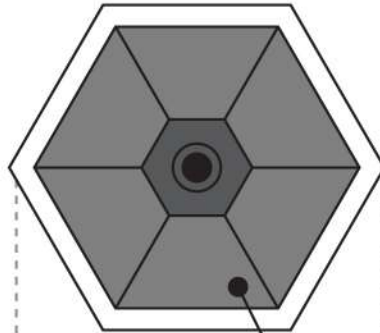
LED

IP65

HEAVY
DUTY
ALUMINIUM

ANTHRACITE
COLOR

TOP VIEW



SOLAR PANEL



SPECIFICATION

Classic 6 side lantern powered with Solar energy. The almost invisible Solar panel at the roof of the lantern has a large capacity. Resulting in a long autonomy of more than 10 hours during night time. Comes with 3 retrofit filament bulbs. creating a warm & gentle light.

GENERAL INFORMATION

Item Number	:	6951308012
Light Type	:	Solar Light
Fixture material	:	HEAVY-DUTY ALUMINIUM
Diffusor material	:	CLEAR GLASS
Fixture Color	:	Black
EAN number	:	6939412078908

LIGHT ENGINE

Fitting	:	E12
Lamps included	:	Yes
Lumen	:	300
Watts	:	6.0 W
CRI	:	80
Energy Efficiency	:	A+
Light Color	:	2700K

TECHNICAL SPECIFICATIONS

IP Rating	:	65
Electrical Protection	:	Class III
Ambient temperature	:	- 20° to 50°

DIMENSIONS

Width	:	270 mm.
Length	:	420 mm.
Height	:	640 mm.

SOLAR

Panel Type	:	Mono Crystalline
Panel Output	:	6.0 W
Battery Quantity	:	1
Battery Type	:	Lithium-ion
Battery Voltage	:	7.4V
Battery Capacity	:	2200mAh

SOLAR PANEL

TYPE	MONOCRYSTALLINE SILICON SOLAR CELLS
MATERIAL	SILICON
POWER EFFICIENCY	17%- 20%
LIFETIME	25year+

UNIT PRICE : 8,550.-



Model  SOLAR LAMP

LC-YL-HALO SOLAR

Bollard light

MONOCRYSTALLINE SOLAR TYPE

4.5W Solar Panel

DIE CASTING ALUMINUM

LED

IP65

Anthracite Grey RAL 7016



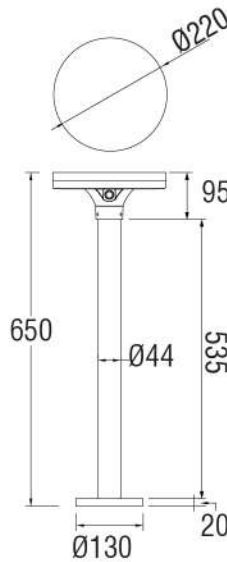
With Motion sensor
100% lighting controlled by motion sensor, 30% lighting controlled by photocell.



SPECIFICATION

LED Power	: 2W
Light source	: LED
Lumen	: 200lm
CCT	: 3000K
Beam Angle	: 114°
Materials	: Die-cast Aluminum housing Extruded Aluminum pole
IP	: 65
Solar Panel	: 6V 4.5W monocrystalline solar panel
Battery	: 3.2V 8000mAh Li-ion Battery
Dimension	: Lamp Head $\varnothing 220 \times H 95$ mm. Pole $\varnothing 44 \times H 535$ mm. Base $\varnothing 130 \times H 20$ mm. Total Height 650 mm.
Color	: Anthracite Grey RAL 7016

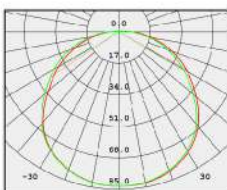
DIMENSION (Unit mm.)



SOLAR PANEL

TYPE	MONOCRYSTALLINE SILICON SOLAR CELLS
MATERIAL	SILICON
POWER EFFICIENCY	17%-20%
LIFETIME	25year+

PHOTOMETRIC DATA



UNIT PRICE : 4,000.-

Model

ARA MAXI SOLAR

Bollard Light With Motion Sensor

MONOCRYSTALLINE SOLAR TYPE

SOLAR LAMP

LED SMD

2.2w
220lm

IP65

DIE CASTING ALUMINUM

ANTHRACITE COLOR



MOTION SENSOR



SOLAR



SOLAR LUMINAIRE

Charge : 6-8 Hours (Sunshine)

Work Time : 100% of light 2.5-3 Hours

15% of light 20-25 Hours

SOLAR PANEL

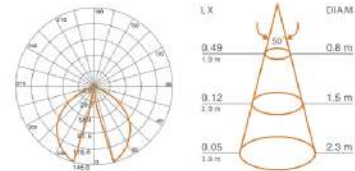
TYPE	MONOCRYSTALLINE SILICON SOLAR CELLS
MATERIAL	SILICON
POWER EFFICIENCY	17%-20%
LIFETIME	25year+



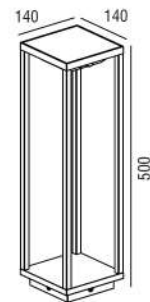
SPECIFICATION

Item No.	: 2170103
Size	: 140×140×500 mm.
Material	: Diecasting Aluminum
Solar Panel	: 2W Monocrystalline
Light Source	: LED 2.2W
Luminous Flux	: 231lm
CCT	: 3000K
Beam Angle	: 50°
Battery	: 1x2200mAh lithium battery
Charging Time	: 6-8 Hours (Sunshine)
IP	: 65
Color	: Anthracite
Craftwork	: fastening screws stainless steel nuts
Other	: Work time 100% of light: 2.5~3H, 15% of light: 20~25H (Motion Sensor)

PHOTOMETRIC DATA



DIMENSION (Unit of mm.)



ACCESSORY



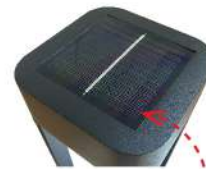
+ Installation Manual

UNIT PRICE : 4,700.-

Model

LC-WD-C317E

SOLAR BOLLARD LIGHT



Solar Panel 4W



No/Off

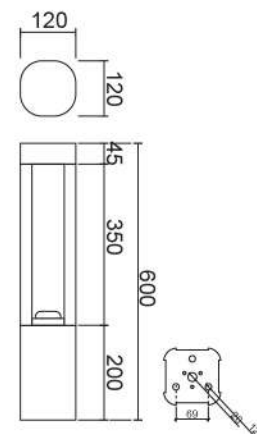
SOLAR PANEL

TYPE	MONOCRYSTALLINE SILICON SOLAR CELLS
MATERIAL	SILICON
POWER EFFICIENCY	17%-20%
LIFETIME	25year+

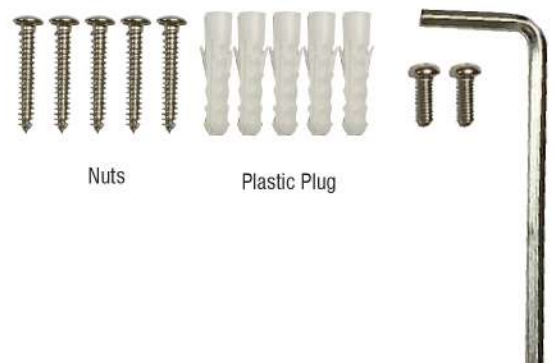
SPECIFICATION

Color	: Matt Anthracite (V322401S)
Size	: 120×120×600mm.
Light source	: LED SMD 2835 /2.2W3.2V
Solar panel	: monocrystalline silicon 145X145mm, 4W6V
Battery	: 3.2V5000mA
Discharging time	: 8hrs/day
Charging time	: 5 hours/day
CCT	: 3000K
Input voltage	: 6V
Material	: Aluminum T2.0mm.+tempered frosty glass. Exposed fastening screws, nuts is 304 stainless steel.
Power Factor	: 0.85
Life time (Hrs.)	: 50000 hrs
Craftwork	: Outdoor UV spray powder, Anti-rotten/acid.alkali.thickness≥80um, fastening screws, nuts of stainless steel (exposed).
IP	: 65
Sensor	: automatically light up when lux<10
Motion Sensor	: No

DIMENSION Unit of mm.



ACCESSORY



Nuts

Plastic Plug

Hex Wrench

UNIT PRICE : 4,000.-

Model

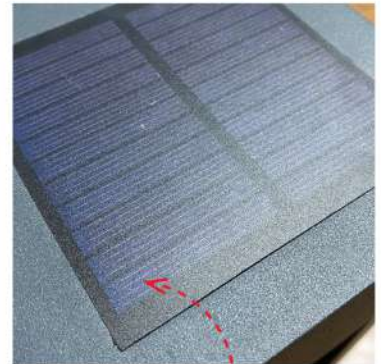
LC-WD-C317D

SOLAR BOLLARD LIGHT

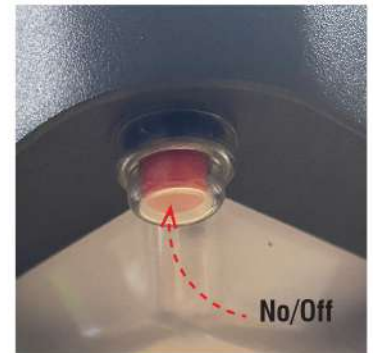


SOLAR PANEL

TYPE	MONOCRYSTALLINE SILICON SOLAR CELLS
MATERIAL	SILICON
POWER EFFICIENCY	17%-20%
LIFETIME	25year+



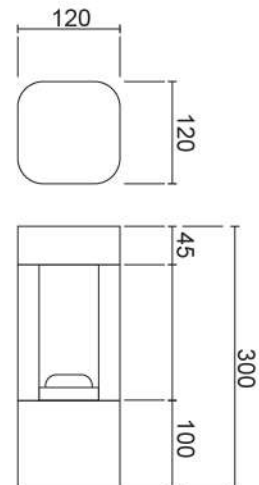
Solar Panel 4W



SPECIFICATION

Color	: Matt Anthracite (V322401S)
Size	: 120×120×300mm.
Light source	: LED SMD 2835 /2.2W3.2V
Solar panel	: monocrystalline silicon 145X145mm. 4W 6V
Battery	: 3.2V5000mA
Discharging time	: 8hrs/day
Charging time	: 5 hours/day
CCT	: 3000K
Input voltage	: 6V
Material	: Aluminum T2.0mm. +tempered frosty glass. Exposed fastening screws, nuts is 304 stainless steel.
Power Factor	: 0.85
Life time (Hrs.)	: 50000 hrs
Craftwork	: Outdoor UV spray powder, Anti-rotten/acid.alkali.thickness≥80um, fastening screws, nuts of stainless steel (exposed).
IP	: 65
Sensor	: automatically light up when lux < 10
Motion Sensor	: No

DIMENSION Unit of mm.



ACCESSORY



UNIT PRICE : 3,000.-

Hex Wrench

Model LC-SWING SOLAR

BOLLARD LIGHT



SOLAR LAMP

MONOCRY
STALLINE
SOLAR TYPE

2.5W
250lm

IP65

DIE-CAST
ALUMINIUM

ANTHRACITE
COLOR



SOLAR PANEL

TYPE	MONOCRYSTALLINE SILICON SOLAR CELLS
MATERIAL	SILICON
POWER EFFICIENCY	17%-20%
LIFETIME	25year+

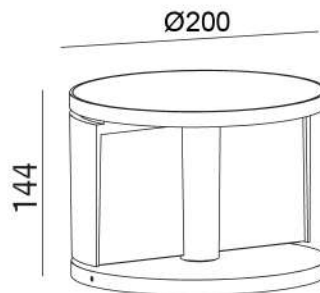
SPECIFICATION

Item No.	: H6131
Watt	: 2.5W
Lumen	: 250lm
CCT	: 3000K
Beam Angle	: 106°
Operating Voltage	: DC 3.7V
CRI	: ≥80
IP	: 65
Color	: ANTHRACITE

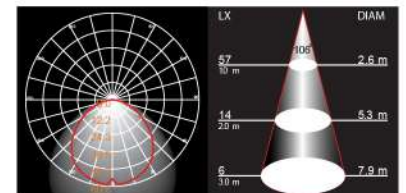
- Body and bracket in die-cast aluminium
- Powder coated with pretreatment for outdoor use
- Opal PC
- 2 Watt solar panel
- Silicon rubber gasket
- 3x1800mAH lithium battery
- Charge: 7H(sunshine)
- Automatically light up at night (≤50lux) work time: 11H

UNIT PRICE : x,xxx.-

DIMENSION (Unit of mm.)



PHOTOMETRIC DATA



ACCESSORY



Hex Wrench



Nuts



Plastic Plug

Dual Mode



Model

LC-WD-T135 SOLAR PANEL

STREET LIGHT SOLAR

POLYCRYSTALLINE
SOLAR TYPE

LED
PHILIPS

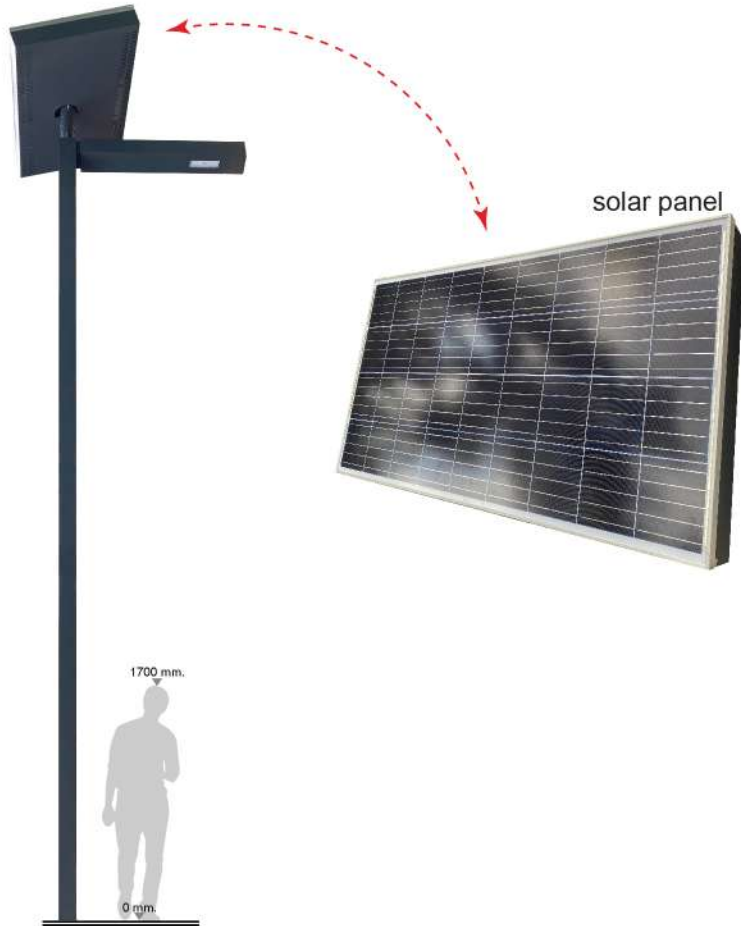
30w
LED POWER

IP65

GOOD
QUALITY
ALUMINUM

MATT
ANTHRACITE
COLOR

SOLAR LAMP

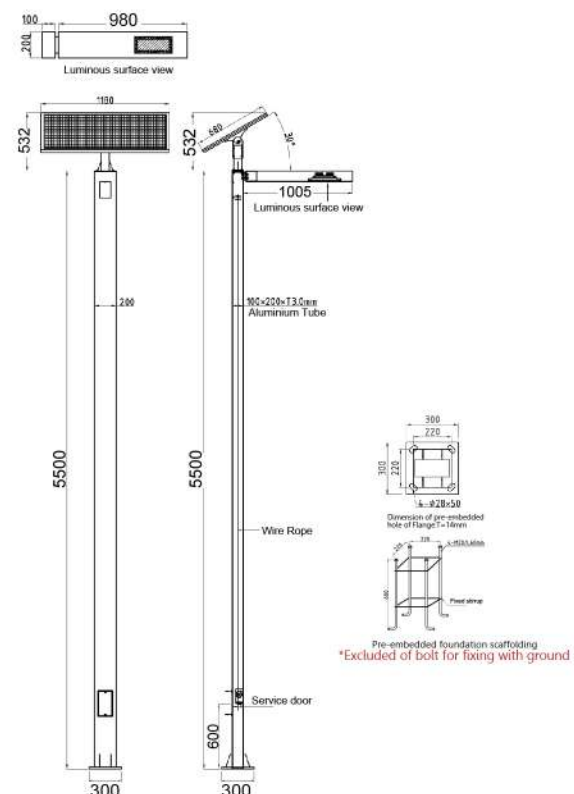


TYPE	POLYCRYSTALLINE SILICON SOLAR CELLS
MATERIAL	(polycrystalline, p-Si)
POWER EFFICIENCY	15%-19%
LIFETIME	20 year

SPECIFICATION

Color	: Matt Anthracite (V322401S)
Size	: W200 x L1100 x H5500 mm. Lamp Pole 100 x 200 mm.
Light Source	: lumileds (Phillips) LED 30W
Led Efficiency	: 120 lm/w 3600lm
CCT	: 4000K
System Parameters	: Dual Mode ; Polysilicon solar panel 18V 120W, size 1180 x 680 x 30mm; 8V 48ah lithium phosphate battery (32650); SDH-60w, 12V waterproof utility complementary constant current all in one machine It lasts for 3-5 cloudy and rainy days, lighting for 8-10 hours every day, and lighting in three time periods, the first period of 4 hours is 100%, the middle period of 3 hours is 70%, and the last period of 3 hours is 50% Trasvert to electric power when brightness less than 50%.
Input Voltage	: AC220V-50Hz
Material	: Good quality aluminum lamp head T3. 0mm. Q235 hot-dip galvanized steel tube lamp pole T3. 0mm. Optical lens diffuse. The exposed fastening screws, nuts is 304 stainless steel.
Craftwork	: Outdoor pray powder, Anti-rotten/acid. alkal i. thickness 80um, fastening screws, nuts of stainless steel (exposed).
IP	: 65
Fix The Wire	: stainless steel

DIMENSION (Unit of mm.)



UNIT PRICE : x,xxx.-

SOLAR LUMINAIRE 100%



Model

LC-WD-T135 SOLAR PANEL

STREET LIGHT SOLAR

POLYCRYSTALLINE
SOLAR TYPE

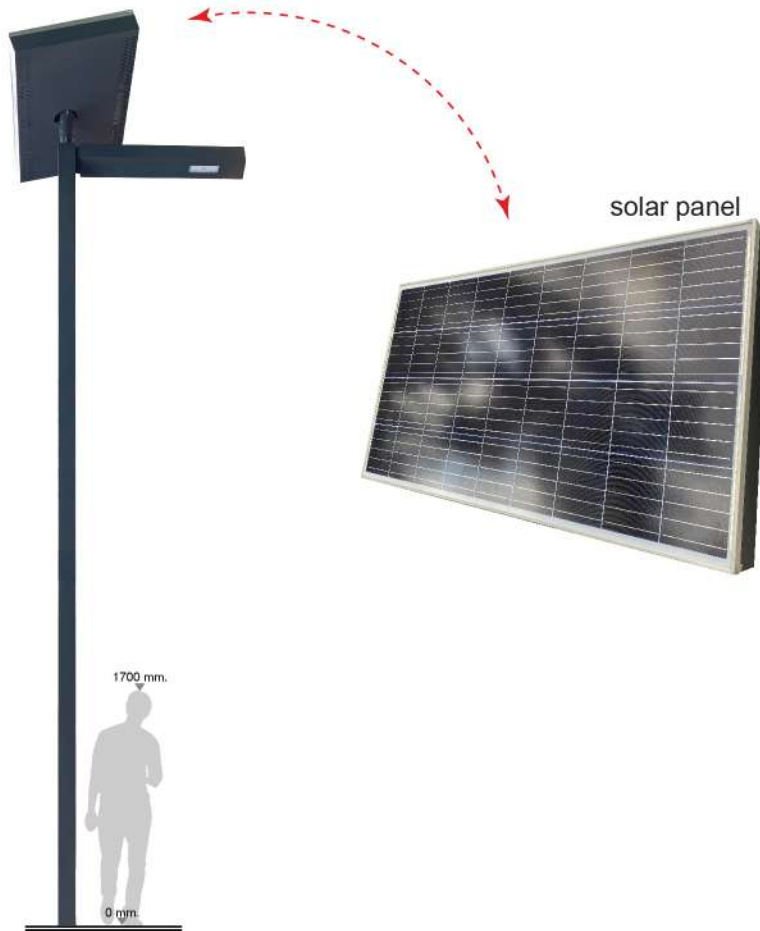
LED
PHILIPS

30W
LED POWER

IP65

GOOD
QUALITY
ALUMINUM

MATT
ANTHRACITE
COLOR



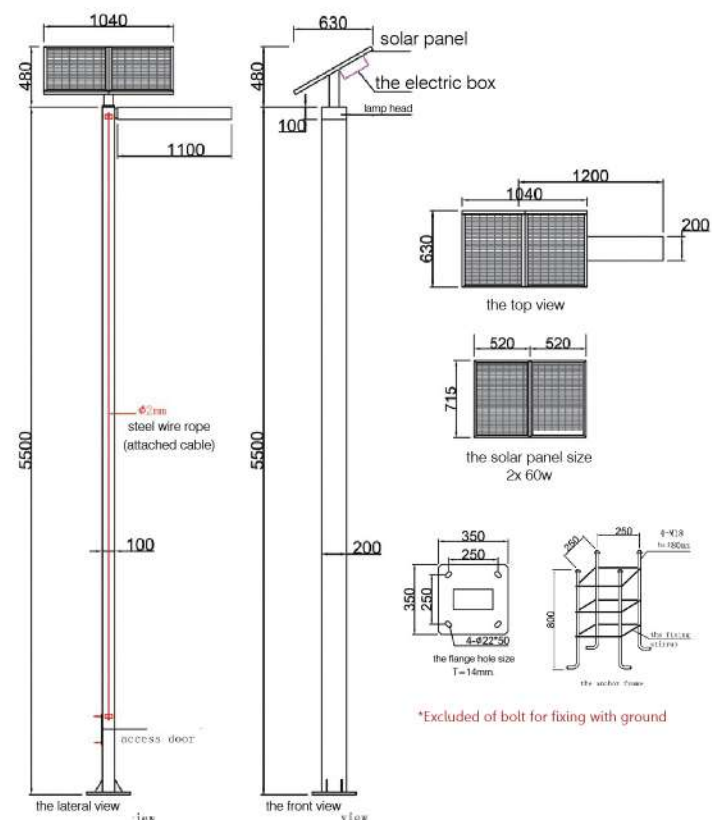
TYPE	POLYCRYSTALLINE SILICON SOLAR CELLS
MATERIAL	(polycrystalline, p-Si)
POWER EFFICIENCY	15%-19%
LIFETIME	20 year

SPECIFICATION

- Color : Matt Anthracite (V322401S)
- Size : W200 x L1100 x H5500 mm.
Lamp pole 100 x 200 mm.
- Light Source : lumileds (Phillips) LED 30W
- Led Efficiency : 120 lm/w 3600lm
- CCT : 4000K
- System Parameters : 18V 120W polysilicon solar panel, size 1180 x 680 x 30mm; 8V 48ah lithium phosphate battery (32650); Sds-30w light control + time control low voltage constant current integrated controller 15A
It lasts for 3-5 cloudy and rainy days, lighting for 8-10 hours every day, and lighting in three time periods, the first period of 4 hours is 100%, the middle period of 3 hours is 70%, and the last period of 3 hours is 50%
- Material : Good quality aluminum lamp head T3.0mm. Q235 hot-dip galvanized steel tube lamp pole T3.0mm.
Optical lens diffuse. The exposed fastening screws, nuts is 304 stainless steel.
- Craftwork : Outdoor gray powder,
Anti-rotten/acid. alkali i. thickness 80um, fastening screws, nuts of stainless steel (exposed).
- IP : 65
- Fix The Wire : stainless steel

UNIT PRICE : x,XXX.-

DIMENSION (Unit of mm.)



*Excluded of bolt for fixing with ground

15w + 50w
(solar) (electric)
LED POWER

SOLAR PANEL
2x15W

IP65

WORK TIME
8Hrs

MATT ANTHRACITE
COLOR

EPISTAR
LED

POLYCRYSTALLINE
SOLAR TYPE

Model

LC-WD-T135 SOLAR PLUS+

STREET LIGHT SOLAR

Dual mode

DUAL SYSTEM
(Solar + Electricity)

SOLAR PANEL

TYPE	POLYCRYSTALLINE SILICON SOLAR CELLS
MATERIAL	(polycrystalline, p-Si)
POWER EFFICIENCY	15%-19%
LIFETIME	20 year



SOLAR PANEL 2X15W



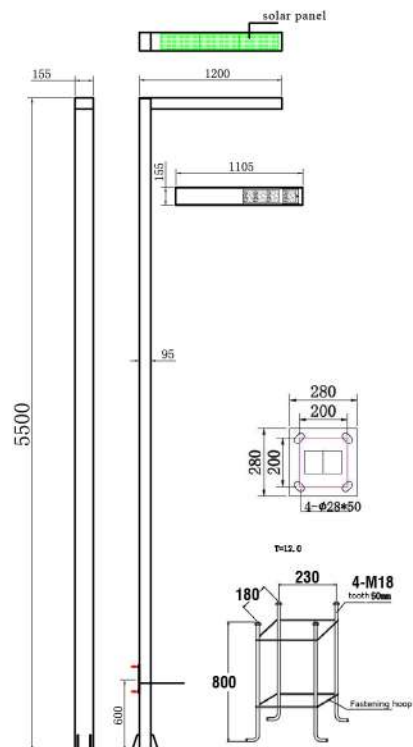
LED (solar)
15 Watt

LED (electric)
50 Watt

SPECIFICATION

Color	: Matt Anthracite (V322014S)
Size	: W155 x L1200 x H5500 mm.
Light Source	: 15W LED Module Epistar (solar power) 50W LED Module Epistar LED (Electric power)
Solar Power	: 6V 15W×2
Battery	: Lithium iron phosphate battery. 20Ah,12V. Full charge in 5 hours.
Led By Solar Working Time	: 3-4 rainy days, 8 hrs/day working time, divided into three periods, 3hrs 100%, 3hrs 75%,2hrs 50%
Beam Angle	: 120°
CCT	: 4000K
Input Voltage	: AC220V-50Hz
Power Supply	: Meanwell
Material	: Good quality aluminum. The diffuse glass is tempered clear glass. The exposed fastening screws, nuts is 304 stainless steel.
Craftwork	: Outdoor UV spray powder, Anti-rotten/acid.alkali.thickness,80um. fastening screws, nuts of stainless steel (exposed).
IP	: 65

DIMENSION (Unit of mm.)



Embedded foundation tripod (Prepare by customer)

*Excluded of bolt for fixing with ground

UNIT PRICE : x,xxx.-

15w
LED POWER

SOLAR PANEL
2x15W

IP65

WORK TIME
8Hrs

MATT ANTHRACITE
COLOR

EPISTAR
LED

POLYCRYSTALLINE
SOLAR TYPE

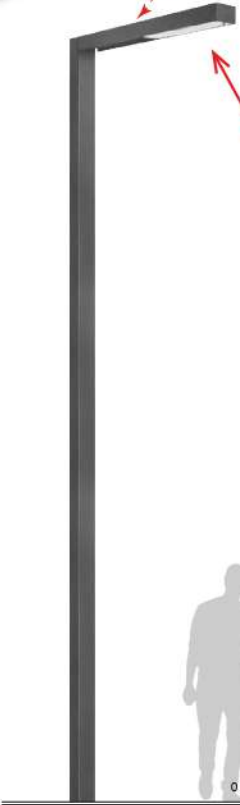
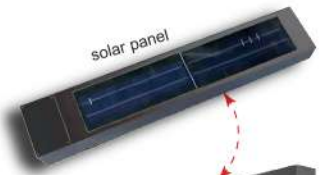
SOLAR LUMINAIRE 100% 

Model

LC-WD-T135 SOLAR

STREET LIGHT

WORK TIME
8Hrs



LED
15 Watt

SOLAR PANEL 2X15W



SOLAR PANEL

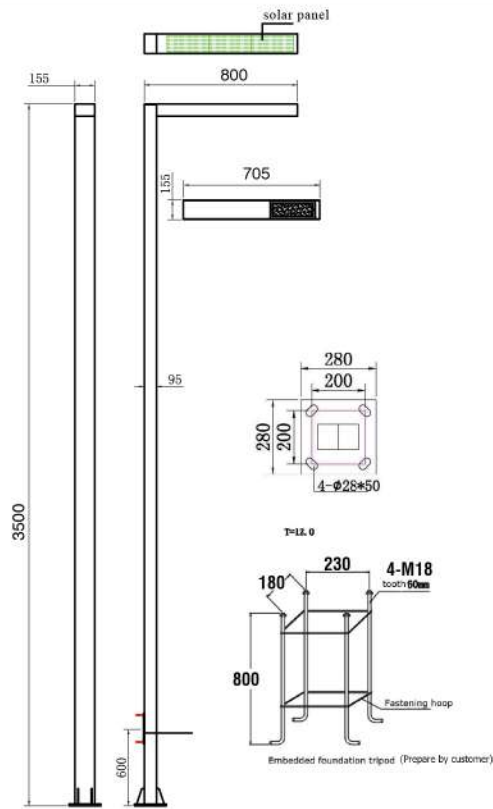
TYPE	POLYCRYSTALLINE SILICON SOLAR CELLS
MATERIAL	(polycrystalline, p-Si)
POWER EFFICIENCY	15%-19%
LIFETIME	20 year

SPECIFICATION

- Color : Matt Anthracite (V322014S)
- Size : W155 x L800 x H3500 mm.
- Light Source : 15W LED Module Epistar
- Solar Panel : 6V 15W×2
- Battery : Lithium battery 3.2V/40AH (including booster controller)
- Charge Time : 5 hours/day.It takes 10 hours to charge when there is no power at all.
- Lighting Period : 15W 2 hrs, 10W 2 hrs, 8w 4 hrs, 3-5 rainy days
- Beam Angle : 120°
- Input Voltage : 9~24V
- CCT : 4000K
- Material : Good quality aluminum.
The diffuse glass is tempered clear glass.
The exposed fastening screws, nuts is 304 stainless steel.
- Craftwork : Outdoor UV spray powder,
Anti-rotten/acid.alkali.thickness,80um.
fastening screws,
nuts of stainless steel (exposed).
- IP : 65

UNIT PRICE : x,xxx.-

DIMENSION (Unit of mm.)



*Excluded of bolt for fixing with ground

Model

LC-WD-GGD2403

GARDEN LIGHT SOLAR



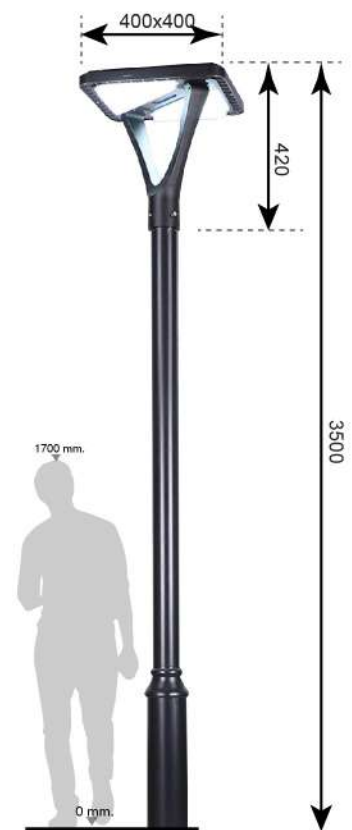
0 mm.



SPECIFICATION

- Size : H3500 mm.
- Material : Head Die casting aluminum-Standard PC
Galvanized Steel Pole
- Solar Panel : 5V/20W Monocrystalline
- LED : LED 17.7W SMD
- CCT : 3000K
- Battery : Lithium Battery
- Charging Time : 8-10hrs. (AM151000W/m225°C)
- IP : 65
- Color : Matt Black

DIMENSION (Unit of mm.)



UNIT PRICE : 14,000.-

SOLAR PANEL

TYPE	MONOCRYSTALLINE SILICON SOLAR CELLS
MATERIAL	SILICON
POWER EFFICIENCY	17%-20%
LIFETIME	25year+

*Excluded of bolt for fixing with ground

Model

LC-WD-LILY SOLAR

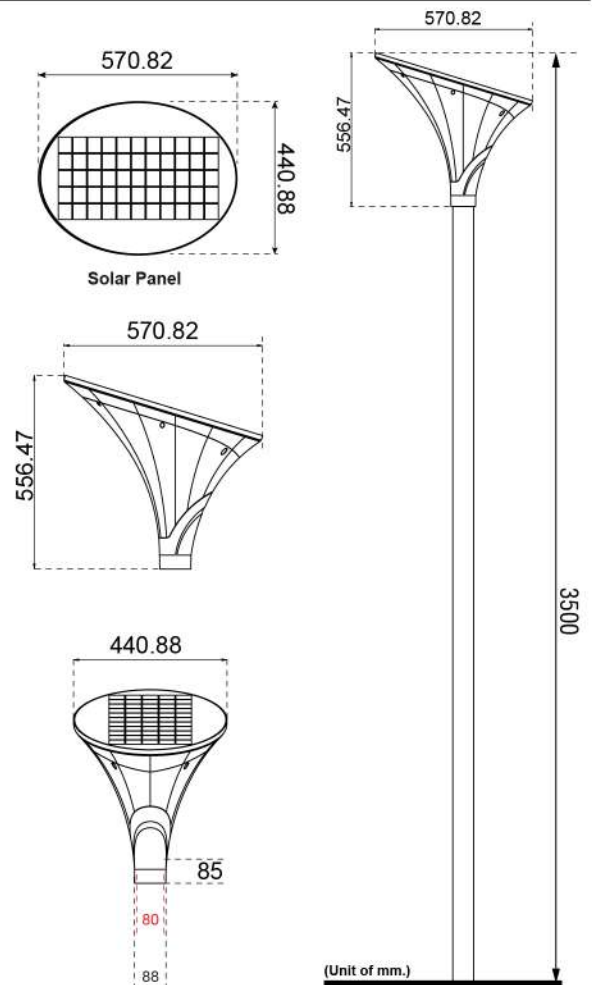
SOLAR GARDEN LIGHT



SOLAR PANEL

TYPE	MONOCRYSTALLINE SILICON SOLAR CELLS
MATERIAL	SILICON
POWER EFFICIENCY	17%-20%
LIFETIME	25year+

DIMENSION (Unit of mm.)



SPECIFICATION

Model	: LC-WD-LILY SOLAR
Size	: 570.82 × 440.88 × H3500 mm. Lamp Head 570.82 × 440.88 × H556.47 mm.
Material	: Die casting aluminum + PC, hot dip galvanized pole.
Solar Panel	: 5V/25W Monocrystalline Solar Panel A
Luminous Flux	: 1320lm~1440lm
CCT	: 3000K
Battery	: 3.2V 30AH LiFePO4 Lithium Battery
Discharging Time	: 3~4 days
Charging Time	: 8-10h (AM151000W/m225°C)
Working Temperature	: -25°C~55°C
IP	: 65
Color	: Matt Black

*Excluded of bolt for fixing with ground

UNIT PRICE : x,xxx.-

Model

LC-WD-5X-DC-ZT

SOLAR GARDEN LIGHT

MONOCRY
STALLINE
SOLAR TYPE



22W
Solar Panel

IP65

PMMA
&
Aluminum
MATERIAL

BLACK
COLOR



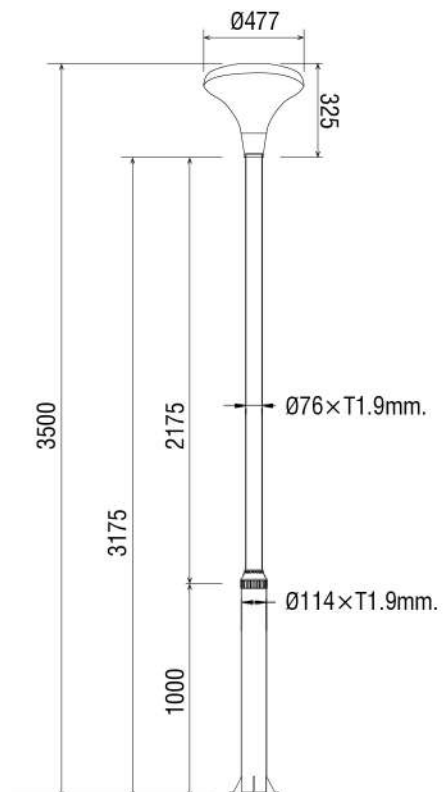
SOLAR PANEL

TYPE	MONOCRYSTALLINE SILICON SOLAR CELLS
MATERIAL	SILICON
POWER EFFICIENCY	17%-20%
LIFETIME	25year+

SPECIFICATION

Item No.	: LC-WD-5X-DC-ZT
Size	: Lamp head $\varnothing 477 \times H:325$ mm. Lamp pole H:3175 mm., Total H:3500 mm.
Material	: Diecasting Aluminum +PMMA lamp head. Galvanized steel pole $\varnothing 76 \times T1.9$ mm., $\varnothing 114 \times T1.9$ mm. Flange T8.0 mm.
Solar Panel	: 5V/22W Monocrystalline
Light Source	: LED 8W
Luminous Flux	: 960lm
CCT	: 3000K
Beam Angle	: -
Battery	: Lithium iron phosphate 3.2V 15Ah
Charging Time	: 8-10hr.
IP	: 65
Color	: Black

DIMENSION mm.



UNIT PRICE : x,xxx.-

*Excluded of bolt for fixing with ground



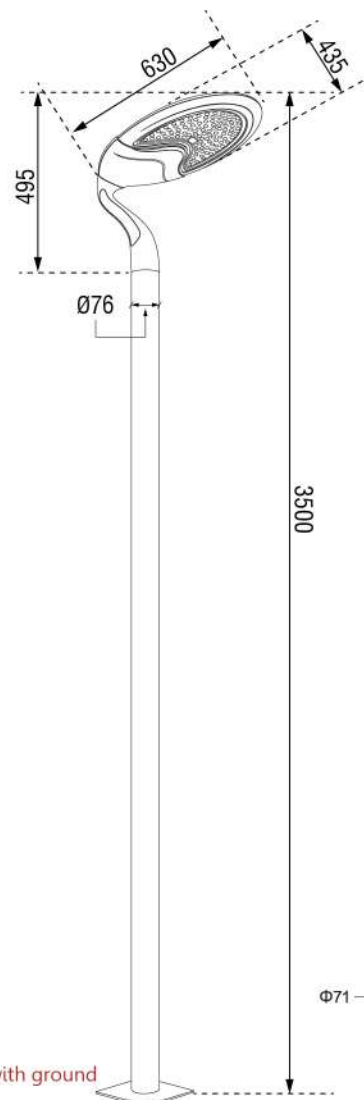
Model

LC-WD-5108

SOLAR GARDEN LIGHT



DIMENSION (Unit of mm.)



SOLAR PANEL

TYPE	MONOCRYSTALLINE SILICON SOLAR CELLS
MATERIAL	SILICON
POWER EFFICIENCY	17%-20%
LIFETIME	25year+

SPECIFICATION

Model	: LC-WD-5108
Size	: H3500 mm. <i>Lamp Head</i> 630 × 435 × H495 mm.
Material	: - Die-casting aluminum - Optical lens - galvanized pole.
Solar Panel	: 5V/25W Monocrystalline Solar
Luminous Flux	: 2300 lm
CCT	: 4000K
Battery	: 3.2V/36000mAH Lithium Battery
Charging Time	: 3-5H
Charging Time	: 8-10h(AM151000W/m225°C)
Working Temperature	: -25°C~55°C
IP	: 65
Color	: Black

*Excluded of bolt for fixing with ground

UNIT PRICE : 15,000.-

Model

LC-AOK-SC30

SOLAR GARDEN LIGHT

MONOCRY
STALLINE
SOLAR TYPE

5400
lm

180
lm/W

30W
Power

IP65

Aluminum
+PC
MATERIAL

BLACK
COLOR

Integreted Design
Solar Panel combined with Battery Box

Conversion Rate
up to 21%



25 Years
Lifespan



Maximum Autonomy
Operate 2~3 rainy days under intelligent model.



SOLAR
LUMINAIRE
100%

12V
35W
Solar Panel



230.4Wh
Li-ion Battery



Lifespan Cycle ≥ 2000 Times
Intelligent Temperature Control



Model LC-AOK-SC30

SOLAR GARDEN LIGHT

SPECIFICATION

Electrical Data

Power	: 30Watt
Control function	: MPPT intelligent controller
Working mode.	: 2H-100%; 4H-Detected: 60%, None: 20%; 6H-Detected: 40%, None: 10%

Photometric Data

LED model	: 5050
Efficacy (lm/W, Std Dev ±3%)	: 180lm/W
Luminous flux (lm, Std Dev ±3%)	: 5400lm
Lens	: Polycarbonate
CCT	: 4000K
CRI	: 70Ra

Mechanical Data

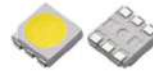
IP Rating	: IP65
Housing	: Aluminum+PC
Mounting	: Round pole (Ø60mm)
Painting	: Black, Custom request

Solar Panel Data

Solar Panel	: 12V, 35W
Li-ion Battery	: 230.4Wh
Charing Time	: 6-8Hrs
Run Time(@full power)	: 7.6hrs
Ambient Temperature	: -10°C to 60°C (14°F to 140°F)
Maximum Autonomy	: Operate 2~3 rainy days under intelligent model.

Others

Certification	: FCC / CE / RoHS (The company is ISO 9001 and ISO 14001 certified.)
Product Size	: 570×370×180 mm.
Recommend installation height	: 3-6m.
Application field	: Garden / Park / Side w alk



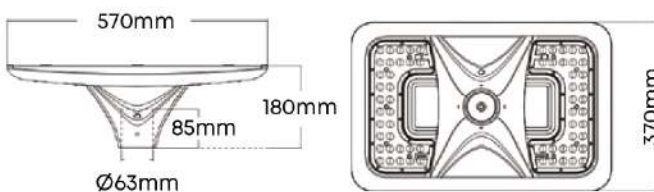
Integral Monocrystalline Silicon Solar Panel



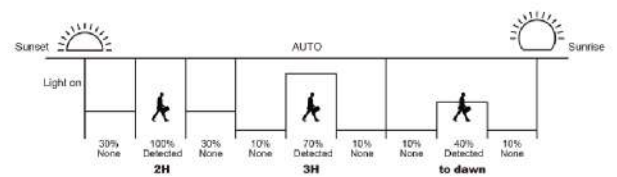
SOLAR PANEL

TYPE	MONOCRYSTALLINE SILICON SOLAR CELLS
MATERIAL	SILICON
POWER EFFICIENCY	17%-20%
LIFETIME	25year+

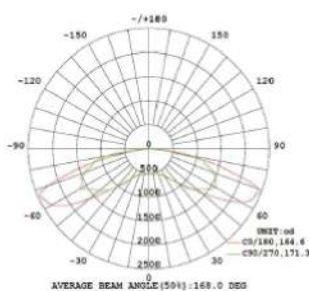
DIMENSION mm.



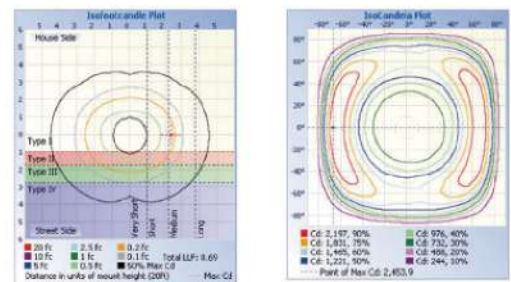
AUTONOMY CONTROL REFERENCE



PHOTOMETRY



ILLUMINANCE DIAGRAM



Unit Price : 30,000.-

Model
LC-ATHENA AI-GL600R
 SOLAR GARDEN LIGHT

MONOCRYSTALLINE
SOLAR TYPE

18W
Power

IP65

Alu die casting + polycarbonate MATERIAL

BLACK COLOR



18V
42W
 Solar Panel

42W 18V monocrystalline

SOLAR LUMINAIRE 100%



Remote Setting



3000 Cycles LifePO4 Battery



LED Power Adjustable



Dual CCT Changeable



Motion Sensor Detection



Dusk to Dawn Auto ON/OFF



IP65 Waterproof

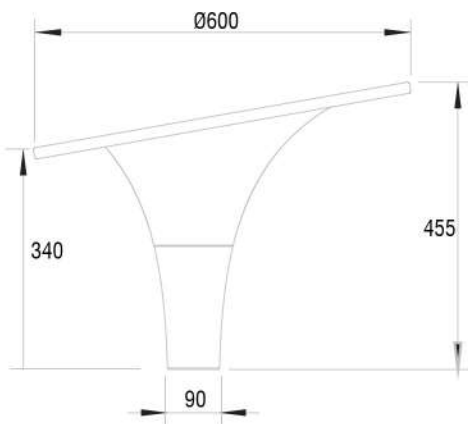


SOLAR PANEL

TYPE	MONOCRYSTALLINE SILICON SOLAR CELLS
MATERIAL	SILICON
POWER EFFICIENCY	17%-20%
LIFETIME	25year+



DIMENSION mm.



Model

LC-ATHENA AI-GL600R

SOLAR GARDEN LIGHT



Performance

CHANGE COLOR

The color is switchable between **daylight 6000K (or cool white 4000k) and warm white 3000K**. Easy to set by remote as required. Winter with warm white and Summer time with cool white. Creating a comfortable atmosphere freely.

CHANGE POWER

The power is changeable as 20%, 40%, 60%, 80%, and 100% to adjustable according to the local solar radiation to save energy, guaranteeing the lighting service is always there even in very challenging conditions.

CHANGE MODE

The default setting is continuous lighting with fixed brightness, also motion sensor function is available, The luminaire works with 30% power normally and works with 100% power when the motion sensor is triggered at people come by. Saving more power with longer battery backup.

CHANGE TIME

Different lighting time durations are available as 4 hours, 6 hours, and 12 hours optional to meet different requirements. This helps to save more energy and extend the lifetime of light as well as more days backup.

SPECIFICATION

Fixture material	: Alu die casting + polycarbonate
Fixture color	: Black
Lamp size	: Ø600 x H455 mm.
LED source	: 128pcs smd3030
LED power	: 18W max
Liminous flux	: >2,800lm
CCT	: 3000K-6000K
CRI	: >83
Default light program	: 4H 100%+4H 50%+5H 30%
Motion sensor mode	: 30%+100% triggerred sensor
Sensor type	: Microwave sensor
LifePO4 battery	: 12.8V 154WH
Battery lifetime	: >3000 cycles D.O.D : 70%
Charge controller	: MPPT 97%
Solar Panel	: 42W 18V monocrystalline
Brightness level	: 20-40-60-80-100%
Working time options	: 4Hours / 6Hours / 12Hours
Working Temp.	: -20°C~70°C
Remote control	: PIR
IP	: 65
Pole diameter to install	: 76mm.
Net weight	: 11.5Kg
Gross weight	: 12.80Kg
Warranty	: 3 Years

UNIT PRICE : x,xxx.-

Model
LC-ARTEMIS

SOLAR GARDEN LIGHT



MONOCRY
STALLINE
SOLAR TYPE

60W
Power

IP65

Alu die
casting +
polycarbonate
MATERIAL

**BLACK
COLOR**



SPECIFICATION

LUMINAIRE

- LED Type & Power : 60Watts
- Luminous Flux : >8,800lm
- CCT : 3000K
- Beam Angle : 120°

SOLARWRAP PV

- Max Power : 280W
- Output Voltage : 18V
- Dimention : 228×220×1560mm.
- Module Quantity : 2 units

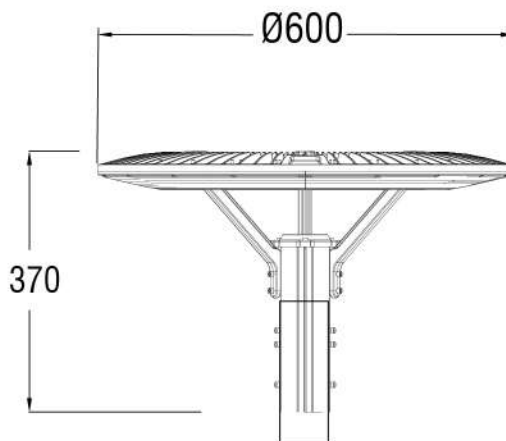
BATTERY PACK

- Rated Capacity : 615WH 12.8V 48AH
- Battery Cell : 32700 6000mAH 32pcs
- Battery Lifetime : >4000cycles @ D.O.D 50%
- Working Temp. : -25°C ~ +65°C

MPPT CHARGE CONTROLLER

- Max. load : < 60 Watts
- Max SolarWrap PV : 240 Watt 18V
- Programmable : yes
- IP : 68

DIMENSION mm.



SOLAR PANEL

TYPE	MONOCRYSTALLINE SILICON SOLAR CELLS
MATERIAL	SILICON
POWER EFFICIENCY	17%-20%
LIFETIME	25year+

UNIT PRICE : x,xxx.-

Model
LC-Q140

SolarWrap

MONOCRY
STALLINE
SOLAR TYPE

140W
/module

IP65

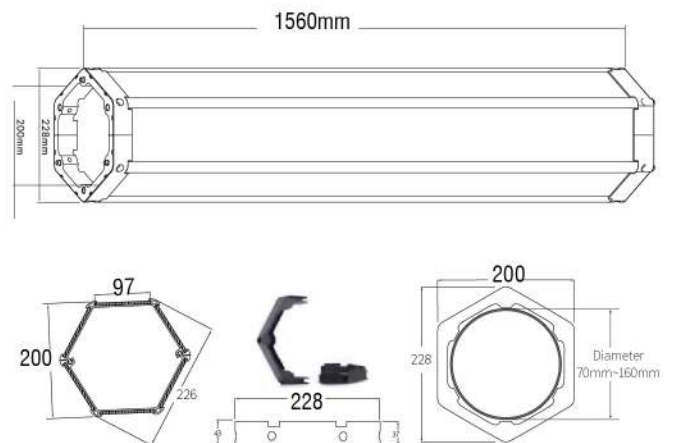


Silicon Solar Panel

SPECIFICATION

Dimension	: 228×200×1560 mm.
Pmax	: 140W
Vmp & Imp	: 18V 7.78A
Cell type	: MONO made in Taiwan
Solar cell efficiency	: 21.50%
Cable & Connector	: Universal MC4 with 0.6 meter 2.5mm
Structure material	: aluminum alloy with powder coated >20 years lifetime
Operating temp.	: -20°C ~ +70°C
PV Lifetime	: >20 years
N.W / G.W	: 20.70kg / 22.80kg
Max pole diameter	: 155 mm.
Warranty	: 5 years

DIMENSION mm.



COMMON SPECIFICATION

Fixture materials	: Alumimium+Glass	Connection cable	: 0.5 meters 2.5mm2
Powers max	: 140W	Connection cables	: 2 pairs of MC4
Type of solar panel	: rigid solar panel	Linkable & Disassemble	: Yes
Solar panel cell	: Monocrystalline	Max diameter of pole to suit	: 155 mm.
Conversion efficiency	: 21.2%	Wind resistance level	: Class 13 37.0~41.4m/s
Qty of slim solar module	: 6 pcs/module	IP	: 65
Connectors type	: MC4		

SOLAR PANEL

TYPE	MONOCRYSTALLINE SILICON SOLAR CELLS
MATERIAL	SILICON
POWER EFFICIENCY	17%-20%
LIFETIME	25year+

UNIT PRICE : x,xxx.-

VINTAGE LAMP



Model

LC-WD-B205

WALL LAMP

E27
LAMP

IP65

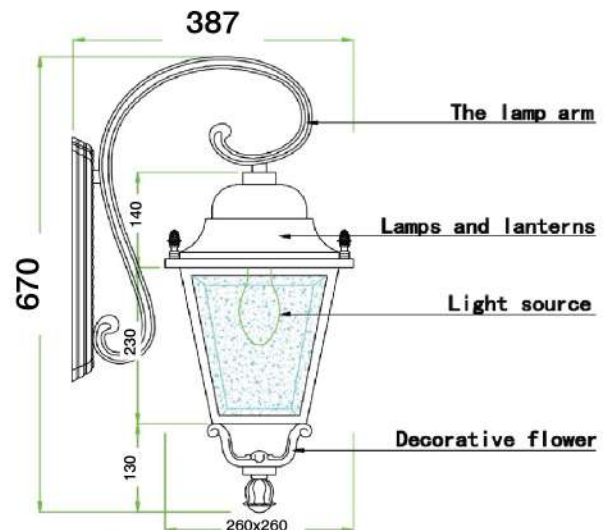
MATT
ANTHRACITE
COLOR



SPECIFICATION

- Color : Matt Anthracite (V322401S)
- Size : Head Size W260×L260×H500. total H670mm.
- Light Source : 1 x Waterproof E27 (LED Bulb)
- Input Voltage : AC220V~50Hz
- Material : Aluminum head,pole and base-temper glass bevelung fkat esge glass T6mm.Exposed fastening screws, nuts is 304 stainless steel.
- Craftwork : Outdoor UV spray powder, Anti-rotten/acid. alkali.thickness≥80um,
- IP : 65

DIMENSION (Unit of mm.)



UNIT PRICE : 6,600.-

Model

LC-WD-B551

WALL LAMP

E27
LAMP

IP65

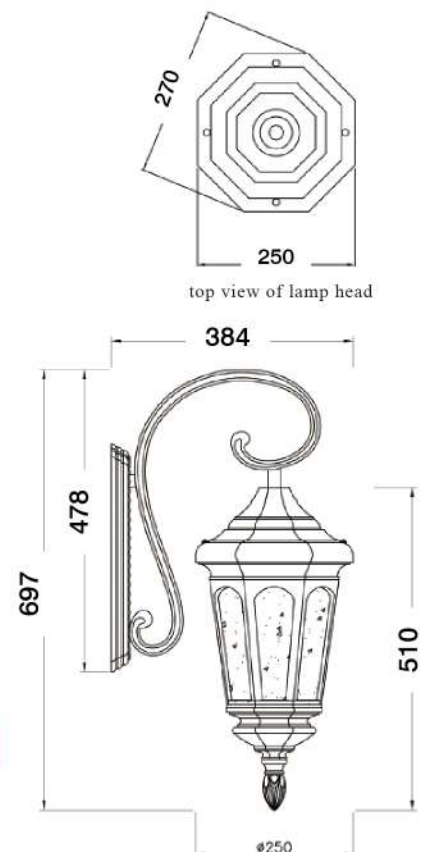
MATT
ANTHRACITE
COLOR



SPECIFICATION

Color	: Matt Anthracite (V322401S)
Size	: Head size $\varnothing 270 \times 250 \times H510$ mm. total H697mm.
Light Source	: 1 x Waterproof E27 (LED Bulb)
Input Voltage	: AC220V~50Hz
Material	: Aluminum head,pole and base-temper glass bevelung fkat esge glass T6mm.Exposed fastening screws, nuts is 304 stainless steel.
Craftwork	: Outdoor UV spray powder, Anti-rotten/acid.alkali.thickness $\geq 80\mu\text{m}$
IP	: 65

DIMENSION (Unit of mm.)



UNIT PRICE : xx,xxx,-

Model

LC-WD-B074

WALL LAMP

E27
LAMP

IP65

MATT
ANTHRACITE
COLOR



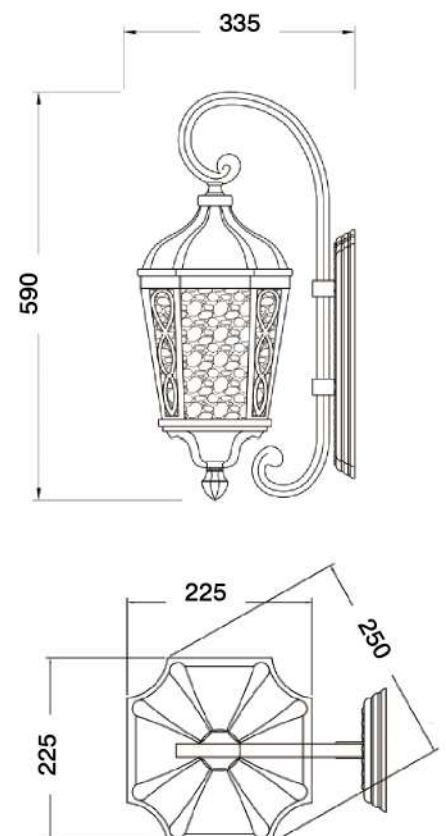
SPECIFICATION

- Color : Matt Anthracite (V322401S)
- Size : Head size $\varnothing 250\text{mm.} \times 225\text{mm.}$ total H590 mm.
- Light Source : 1 x Waterproof E27 (LED Bulb)
- Input Voltage : AC220V~50Hz
- Material : Aluminum and tempered Water pattern glass
- Craftwork : Outdoor UV spray powder, Anti-rotten/acid. alkali.thickness $\geq 80\mu\text{m}$, fastening screws, nuts of stainless steel (exposed).
- IP : 65



Water pattern glass

DIMENSION (Unit of mm.)



UNIT PRICE : xx,xxx.-

Model

LC-YL-1023A-E27-AFW

WALL LAMP

DIE CASTING
ALUMINUM

E27

IP65

Anthracite
Grey
RAL 7016



SPECIFICATION

Lamp Head

Light source	: 1 x Waterproof E27 (LED Bulb 50W)
CCT	: 3000K
Input Voltage	: AC220V~50Hz
Materials	: -Die-cast Aluminum housing -Clear Tempered glass
IP	: 65
Dimension	: Head size W440×L440×H820 mm.
Color	: Anthracite Grey RAL 7016

Arm

Arm Size	: W70×L540×H300 mm.
Base size	: W13×L70×H300 mm.
Materials	: Die-cast Aluminum housing
Color	: Anthracite Grey RAL 7016

DIMENSION (Unit mm.)



UNIT PRICE : xx,xxx.-

Model

LC-WD-C551-2

POST TOP

E27
LAMP

IP65

MATT
ANTHRACITE
COLOR

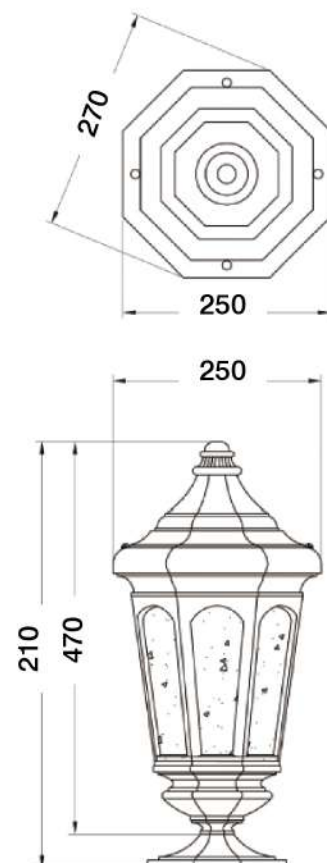


SPECIFICATION

- Color : Matt Anthracite (V322401S)
- Size : Lamp head $\varnothing 270 \times 250 \times H470$ mm.
- Light Source : 1 x Waterproof E27 (LED Bulb)
- Input Voltage : AC220V~50Hz
- Material : Aluminum head,pole and base-temper glass bevelung fkat esge glass T6mm.Exposed fastening screws, nuts is 304 stainless steel.
- Craftwork : Outdoor UV spray powder, Anti-rotten/acid.alkali.thickness $\geq 80\mu\text{m}$ fastening screws, nuts of stainless steel (exposed).
- IP : 65

UNIT PRICE : 7,000.-

DIMENSION (Unit of mm.)



Model

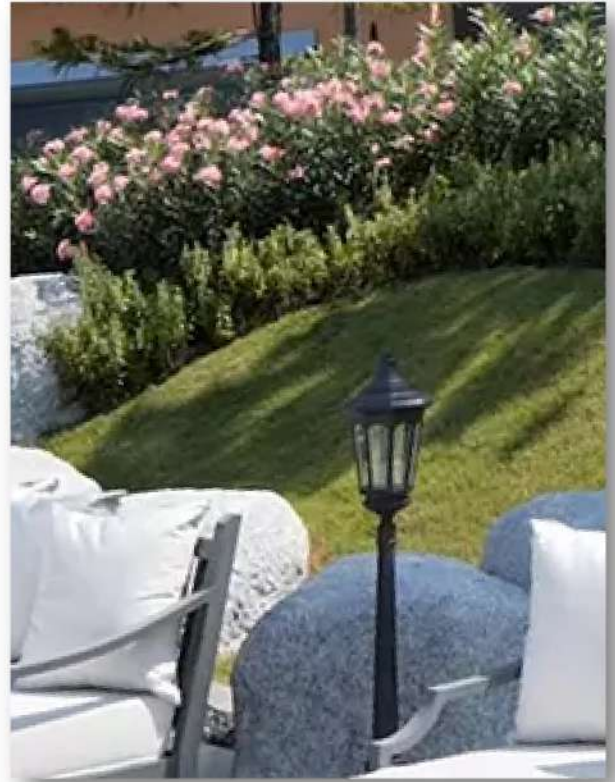
LC-WD-C551

BOLLARD LIGHT

E27
LAMP

IP65

MATT
ANTHRACITE
COLOR

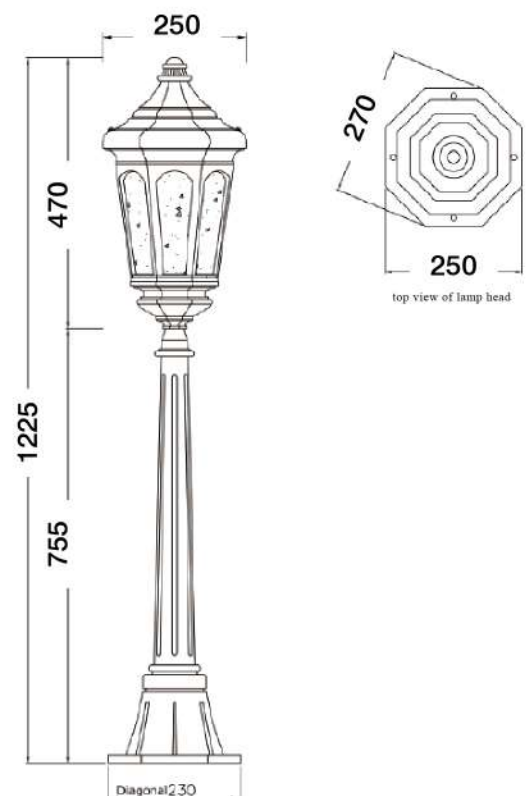


SPECIFICATION

Color	: Matt Anthracite (V322401S)
Size	Lamp head Ø270x250xH470 mm. lamp pole H755mm,total1225 mm.
Light Source	: 1 x Waterproof E27 (LED Bulb)
Input Voltage	: AC220V~50Hz
Material	: Aluminum head,pole and base-temper glass bevelung fkat esge glass T6mm.Exposed fastening screws, nuts is 304 stainless steel.
Craftwork	: Outdoor UV spray powder, Anti-rotten/acid.alkali.thickness≥80um fastening screws, nuts of stainless steel (exposed).
IP	: 65

UNIT PRICE : xx,xxx,-

DIMENSION (Unit of mm.)



Model

LC-WD-C074

BOLLARD LIGHT

E27
LAMP

IP65

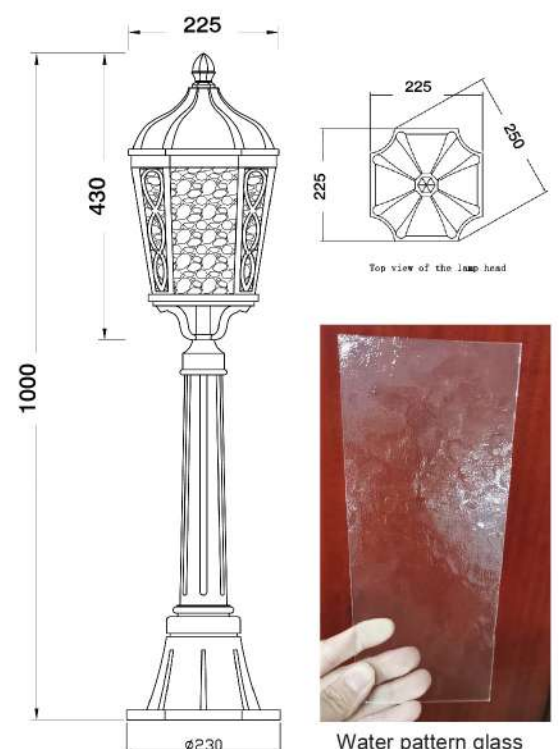
MATT
ANTHRACITE
COLOR



SPECIFICATION

- Color : Matt Anthracite (V322401S)
- Size : Ø225xH430mm.total H1000 mm.
- Light Source : 1 x Waterproof E27 (LED Bulb)
- Input Voltage : AC220V~50Hz
- Material : Aluminum and tempered Water pattern glass
- Craftwork : Outdoor UV spray powder, Anti-rotten/acid.
alkali.thickness≥80um ,
fastening screws, nuts of stainless steel (exposed).
- IP : 65

DIMENSION (Unit of mm.)



UNIT PRICE : xx,xxx.-

Model

LC-WD-T551-H4000 mm.

POST LIGHT

E27
LAMP

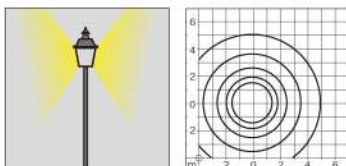
IP65

MATT
ANTHRACITE
COLOR

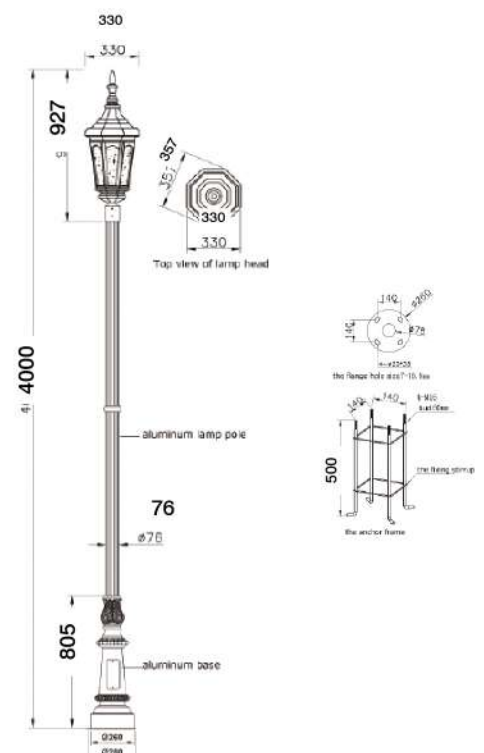


SPECIFICATION

- Color : Matt Anthracite (V322401S)
- Size : Lamp head Ø357x330, total H3000 mm.
- Light Source : 1 x Waterproof E27 (LED Bulb)
- Input Voltage : AC220V~50Hz
- Material : Aluminum head,pole and base-Temper glass
beveling flat edge T4mm. Exposed
fastening screws, nuts is 304 stainless steel.
- Craftwork : Outdoor UV spray powder,
Anti-rotten/acid.alkali.thickness≥80um
fastening screws, nuts of stainless steel (exposed).
- IP : 65



DIMENSION (Unit of mm.)



UNIT PRICE : xx,xxx.-

Excluded of bolt for fixing with ground

Model

LC-WD-T205-1HEAD-ECO

Post light

E27
LAMP

IP65

MATT BLACK
COLORS

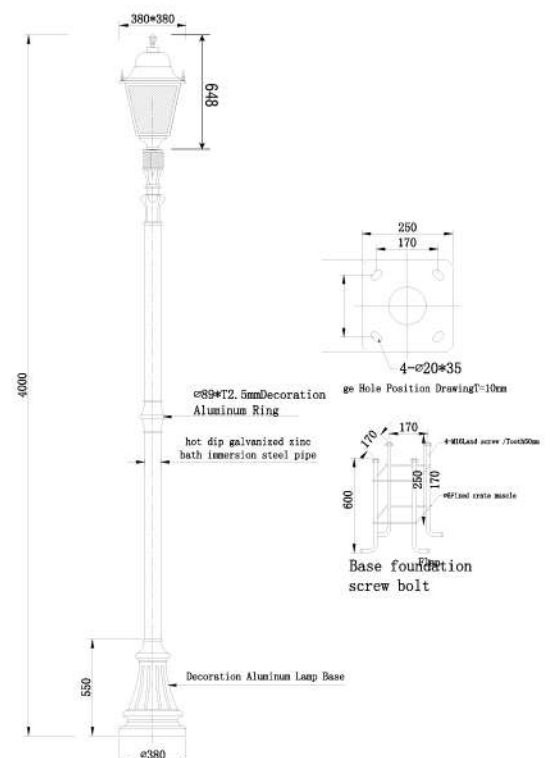
ECO
TYPE



SPECIFICATION

- Color : Matt black
- Size Head : Head size 380 x 380 mm.
- Size Pole : H4000 mm. Pole $\varnothing 89 \times T2.5$ mm.
- Light source : 1 x Waterproof E27 (LED Bulb)
- Input voltage : AC220V-50Hz
- Material : Galvanized steel lamp head cover
- Galvanized steel lamp frame
- Dia-casting aluminum base
- Tempered clear glass diffuser.
- The exposed fastening screws, nuts is 201 stainless steel.
- Craftwork : Outdoor UV spray powder,
Anti-rotten/acid.alkali.thickness $\geq 80\mu\text{m}$,
fastening screws, nuts of stainless steel (exposed).
- IP : 65

DIMENSION (Unit of mm.)



UNIT PRICE : 25,000.-

Excluded of bolt for fixing with ground

Model

LC-WD-T205-2HEAD-ECO

Post light

2×E27
LAMP

IP65

MATT BLACK
COLORS

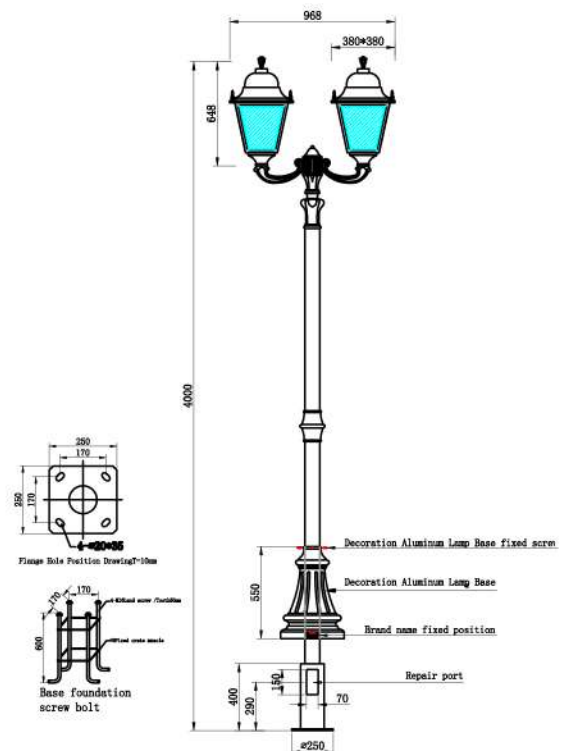
ECO
TYPE



SPECIFICATION

- Color : Matt Black
- Size Head : Lamp head 380×380mm.
- Size Pole : H4000 mm. Pole Dia 89×T2.0 mm.
- Light source : 2 x Waterproof E27 (LED Bulb)
- Input voltage : AC220V-50Hz
- Material : Galvanized steel lamp head cover,
lamp frame, pole T2.0mm.
Aluminum base. Tempered clear glass.
The exposed fastening screws,
nuts is 201 stainless steel.
- Craftwork : Outdoor UV spray powder,
Anti-rotten/acid.alkali.thickness≥80um,
fastening screws, nuts of stainless steel (exposed).
- IP : 65

DIMENSION (Unit of mm.)



Excluded of bolt for fixing with ground

UNIT PRICE : 30,000.-

Model

LC-WD-T074

POST LIGHT

E27
LAMP

IP65

MATT
ANTHRACITE
COLOR

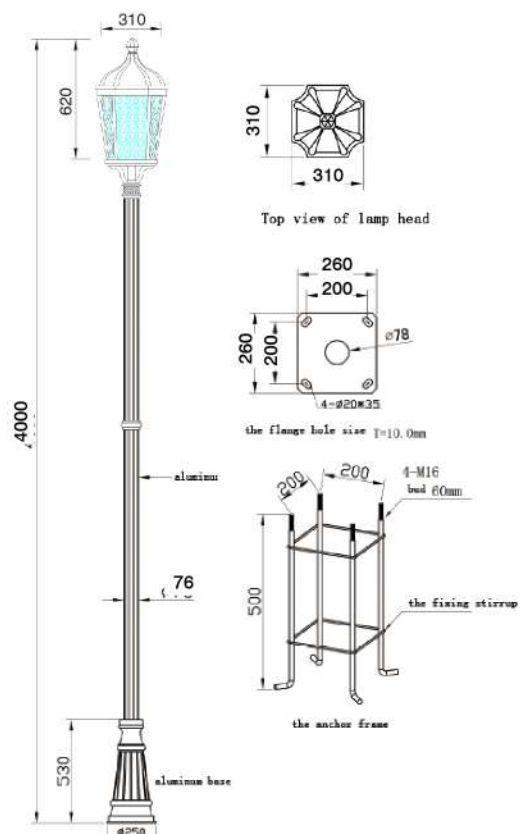


SPECIFICATION

- Color Finish : Matt Anthracite (V322401S)
- Size : Ø310x310mm. H620mm.total H4000mm.
- Light Source : 1 x Waterproof E27 (LED Bulb)
- Input Voltage : AC220V~50Hz
- Material : Aluminum and tempered Water pattern glass
- Craftwork : Outdoor UV spray powder, Anti-rotten/acid.
alkali.thickness≥80um ,
fastening screws, nuts of stainless steel (exposed).
- IP : 65

UNIT PRICE : 25,000.-

DIMENSION (Unit of mm.)



*Excluded of bolt for fixing with ground

Model

LC-WD-T202-5

POST LIGHT

E27
LAMP

IP65

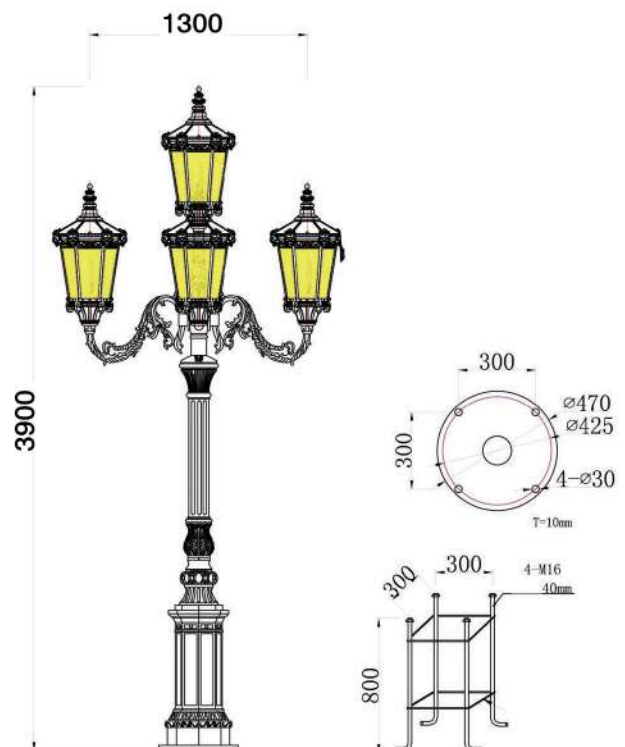
MATT ANTHRACITE COLOR



SPECIFICATION

- Color Finish : Matt Anthracite (V322401S)
- Size : H3900mm.
- Light Source : 5 x Waterproof E27 (LED Bulb)
- Input Voltage : AC220V~50Hz
- Material : The Lamp Head Base Is Aluminum
The Lamp Pole Is Q235
Hot-dip Galvanizing Tube T3.0mm.
The Diffuser Is Clear Glass
The Screws Are 304 Stainless Steel
- IP : 65

DIMENSION (Unit of mm.)



UNIT PRICE : 57,000.-

*Excluded of bolt for fixing with ground

Model

LC-WD-B802 OCTAGON GARDEN LIGHT

WALL LAMP

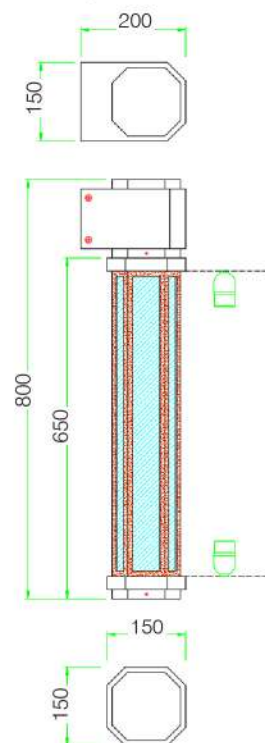


SPECIFICATION

- Color** : Matt black lamp body and golden lamp head strip.
- Size** : Ø150XH800mm.
- Light Source** : 1 x Waterproof E27 (LED Bulb)
- Input Voltage** : AC220V~50Hz
- Material** : 201 stainless steel lamp head, T1.5mm, transparent toughened glass. tea color tempered glass of the lamp body is sand black, and the lamp head strip is gold
The exposed fastening screws, nuts is 304 stainless steel.
- Craftwork** : Outdoor UV spray powder, Anti-rotten/acid.alkali. thickness≥80um,fastening screws, nuts of stainless steel (exposed).
- IP** : 65

DIMENSION (Unit of mm.)

Wall panel hole size installation



UNIT PRICE : xx,xxx.-

Model

LC-WD-T800 OCTAGON GARDEN LIGHT

POSTLIGHT

30
watt

IP65

MATT BLACK
COLOR

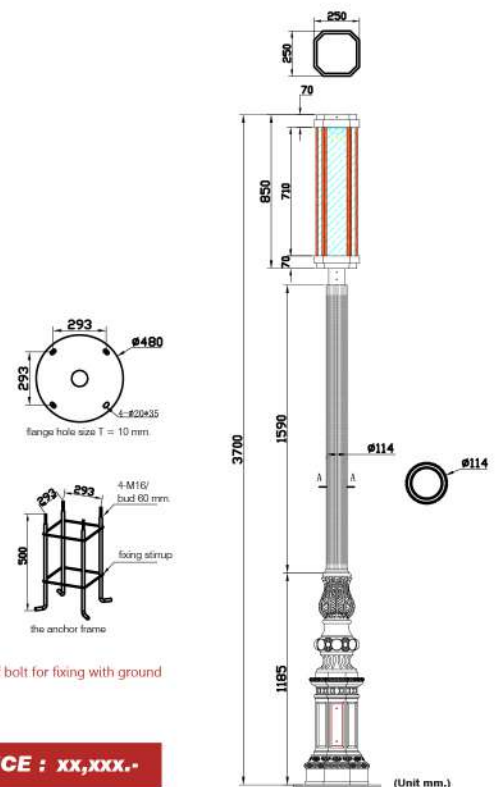
GOLDEN
COLOUR



SPECIFICATION

- Color Finish : Matt black Lamp body
and golden lamp head strip
- Size : Ø250xH850/ Total H 3700mm.
- Light Source : 30W LED module
- Cct : 3000K
- Input Voltage : AC220V~50Hz
- Material : Transparent glass tea color tempered glass T3mm.
The lamp rod is a decorative base of striped aluminum tube
T2.5mm. + cast aluminum
Installation flange is galvanized steel plate T10mm.
Exposed fastener screws are made of 304 stainless steel
- Craftwork : Outdoor UV spray powder,
Anti-rotten/acid.alkali.thickness≥80um,
fastening screws,
nuts of stainless steel (exposed).
- IP : 65

DIMENSION (Unit of mm.)



UNIT PRICE : xx,xxx,-

(Unit mm.)

Model

LC-YL-1011-E27-1-P053

GARDEN LIGHTING

DIE CASTING
ALUMINUM

E27

IP65

Anthracite
Grey
RAL 7016

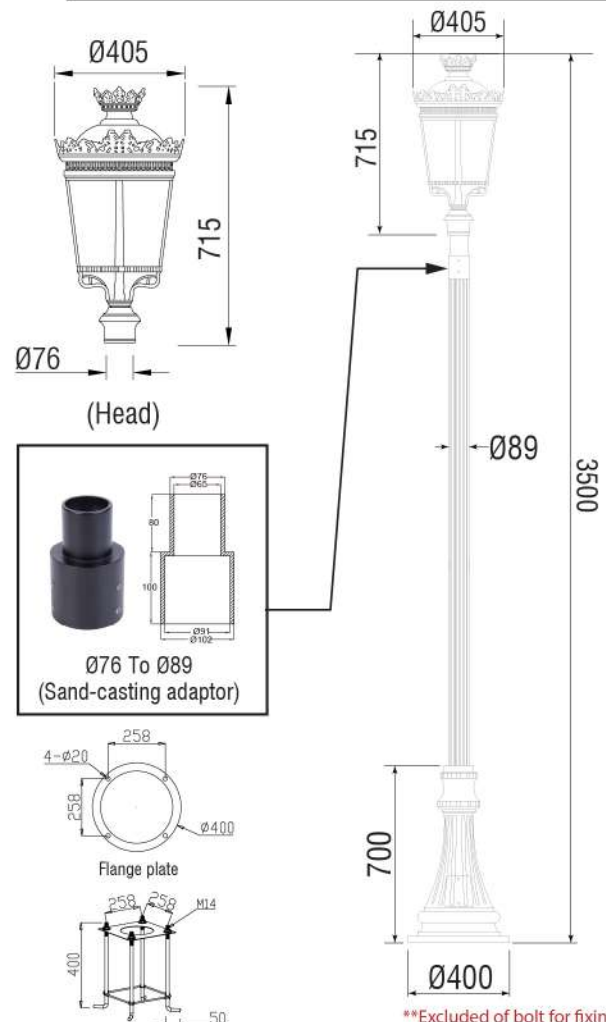


SPECIFICATION

Light source	: 1 x Waterproof E27 (LED Bulb 50W)
CCT	: 3000K
Input Voltage	: AC220V~50Hz
Materials	: Die-cast Aluminum housing; Spinning Aluminum Top Cover Frost PC lens
IP	: 65
Dimension (Lamp Head)	: $\varnothing 405 \times H715$ mm., $\varnothing 76$ mm.
Total Height	: 3500 mm.
Pole diameter	: $\varnothing 89$ mm.
Decorate Base	: $\varnothing 400 \times 700$ mm.
Material	: Sanding cast base and Extruded Aluminium Pole
Color	: Anthracite Grey RAL 7016

UNIT PRICE : xx,xxx.-

DIMENSION (Unit mm.)



Model

LC-YL-1011-E27-2-P053-AFW

GARDEN LIGHTING

DIE CASTING
ALUMINUM

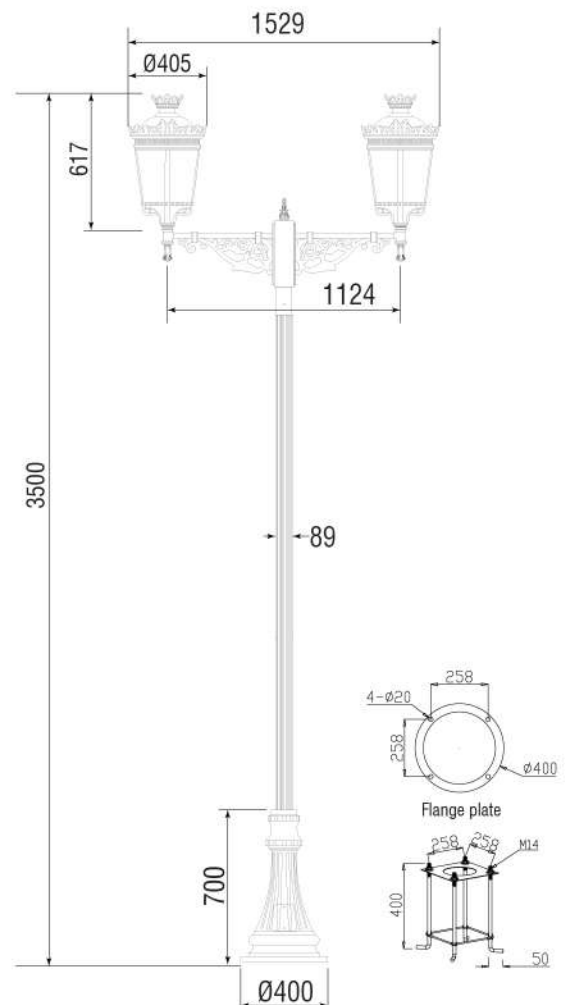
2 × E27

IP65

Anthracite
Grey
RAL 7016



DIMENSION (Unit mm.)



SPECIFICATION

Light source	: 2 x Waterproof E27 (LED Bulb 50W)
CCT	: 3000K
Input Voltage	: AC220V~50Hz
Materials	: Die-cast Aluminum housing; Spinning Aluminum Top Cover Frost PC lens
IP	: 65
Dimension (Lamp Head)	: Ø405×H617 mm.
Total Height	: 3500 mm.
Pole diameter	: Ø89 mm.
Decorate Base	: Ø400x700 mm.
Material	: Sanding cast base and Extruded Aluminium Pole
Color	: Anthracite Grey RAL 7016

UNIT PRICE : xx,xxx.-

Excluded of bolt for fixing with ground

Model

LC-YL-1023A-E27-1-P053

GARDEN LIGHTING

DIE CASTING
ALUMINUM

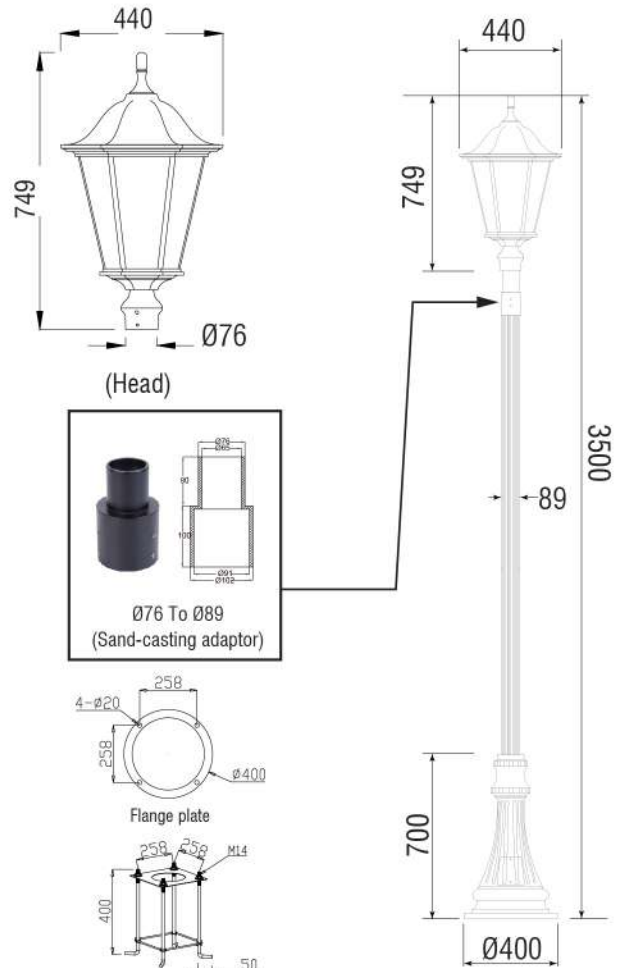
E27

IP65

Anthracite
Grey
RAL 7016



DIMENSION (Unit mm.)



SPECIFICATION

Light source	: 1 x Waterproof E27 (LED Bulb 50W)
CCT	: 3000K
Input Voltage	: AC220V~50Hz
Materials	: -Die-cast Aluminum housing -Clear Tempered glass
IP	: 65
Dimension (Lamp Head)	: W440×L440×H749 mm.
Total Height	: 3500 mm.
Pole diameter	: Ø89 mm.
Decorate Base	: Ø400x700 mm.
Material	: Sanding cast base and Extruded Alumium Pole
Color	: Anthracite Grey RAL 7016

UNIT PRICE : xx,xxx.-

Excluded of bolt for fixing with ground

Model

LC-YL-1023A-E27-2-P053-AFW

GARDEN LIGHTING

DIE CASTING
ALUMINUM

E27

IP65

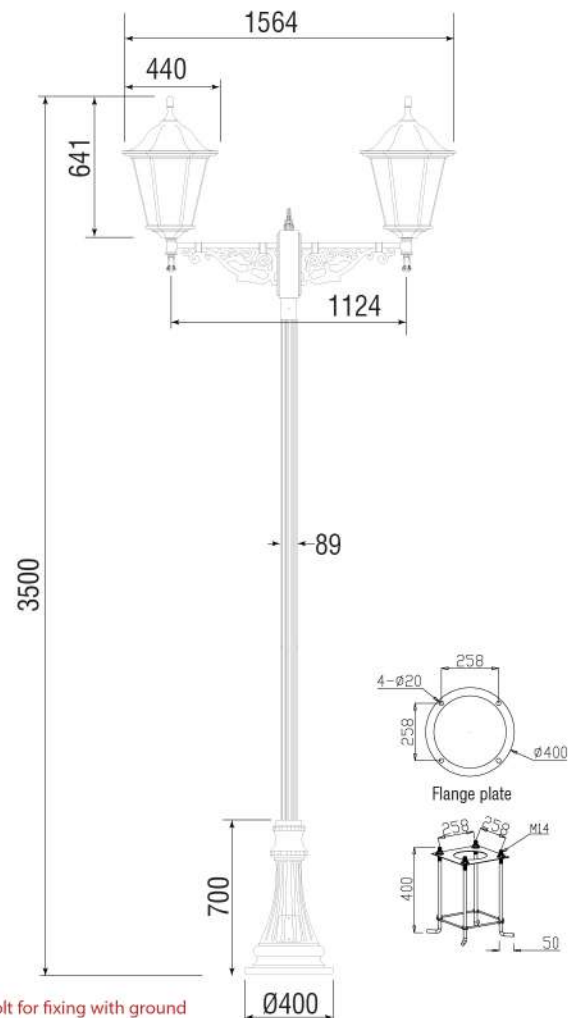
Anthracite
Grey
RAL 7016



SPECIFICATION

Light source	: 2 x Waterproof E27 (LED Bulb 50W)
CCT	: 3000K
Input Voltage	: AC220V~50Hz
Materials	: Die-cast Aluminum housing; Spinning Aluminum Top Cover Frost PC lens
IP	: 65
Dimension (Lamp Head)	: W440×L440×H749 mm.
Total Height	: 3500 mm.
Pole diameter	: Ø89 mm.
Decorate Base	: Ø400x700 mm.
Material	: Sanding cast base and Extruded Aluminium Pole
Color	: Anthracite Grey RAL 7016

UNIT PRICE : xx,xxx.-



*Excluded of bolt for fixing with ground

STREET LAMP



Model

LC-WD-T1098 WHITE OIL GLASS

GARDEN LIGHTING

SPECIAL TYPE



50W
6300lm

IP65

ALUMINIUM
MATERIAL

OSRAM
LED CHIP

MW
MAX WELLS
DRIVER

MATT
ANTHRACITE
COLOR

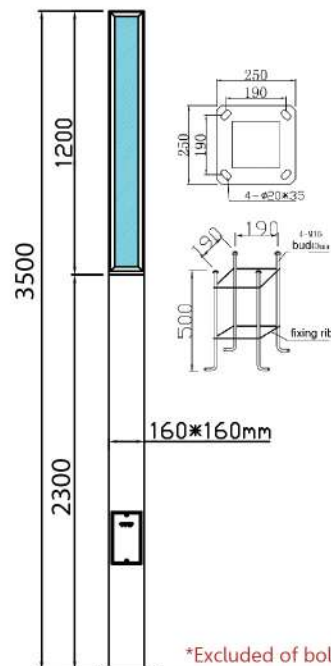


SPECIFICATION

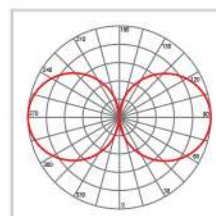
Power	: 50W
Light source	: Osram LED
Lumen	: 6300 lm
Lumen/Watt	: 126 lm/W
CCT	: 3000K
CRI	: >80
Beam Angle	: 360°
Materials	: Aluminium, The exposed fastening screws, nuts is 304 stainless steel.
Color	: Matt Anthracite (V322401S)
Paint method	: UV Powder coating (UV Protected), Anti-rotten/acid.alkali.thickness≥80um, fastening screws, nuts of stainless steel (exposed).
Optical cover	: white oil tempered glass
Adjustable	: No
IP	: 65
Driver Type	: Internal Driver
Surge Protection	: 6kV
Power Voltage / THDi(%)	: 100-240 VAC 50Hz , <15%
Power factor	: >0.96
Standard (Local)	: TIS.1955/2551
Applied	: -
Dimension (WxLxH)	: 160x160x3500 mm.
Lifetime	: >50,000 hours

UNIT PRICE : 35,000.-

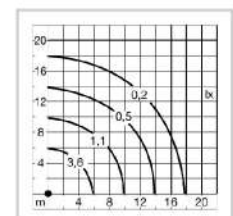
DIMENSION (Unit mm.)



PHOTOMETRIC DATA



LIGHT DISTRIBUTION



Model

LC-WD-T1098-PEAR PATTERN GLASS

GARDEN LIGHTING

SPECIAL TYPE



50W
6300lm

IP65

ALUMINIUM
MATERIAL

OSRAM
LED CHIP

MW
MEAN WELL
DRIVER

MATT
ANTHRACITE
COLOR

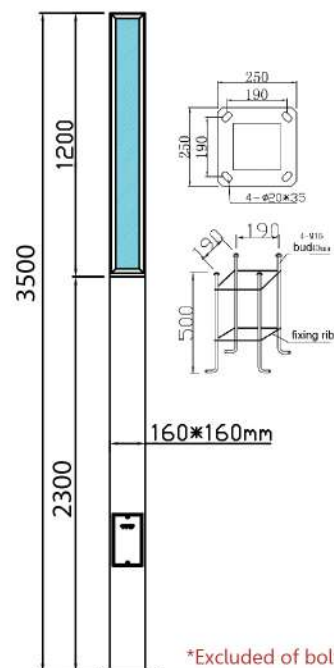


SPECIFICATION

Power	: 50W
Light source	: Osram LED
Lumen	: 6300 lm
Lumen/Watt	: 126 lm/W
CCT	: 3000K
CRI	: > 80
Beam Angle	: 360°
Materials	: Aluminium, The exposed fastening screws, nuts is 304 stainless steel.
Color	: Matt Anthracite (V322401S)
Paint method	: UV Powder coating (UV Protected), Anti-rotten/acid.alkali.thickness≥80um, fastening screws, nuts of stainless steel (exposed).
Optical cover	: Pear Pattern glass
Adjustable	: No
IP	: 65
Driver Type	: Internal Driver
Surge Protection	: 6kV
Power Voltage / THDi(%)	: 100-240 VAC 50Hz , < 15%
Power factor	: > 0.96
Standard (Local)	: TIS.1955/2551
Applied	: -
Dimension (WxLxH)	: 160x160x3500 mm.
Lifetime	: > 50,000 hours

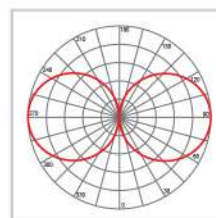
UNIT PRICE : xx,xxx,-

DIMENSION (Unit mm.)

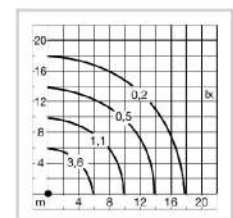


*Excluded of bolt for fixing with ground

PHOTOMETRIC DATA



LIGHT DISTRIBUTION



Model

LC-WD-T1516

GARDEN LIGHTING

65W
4800lm

IP65

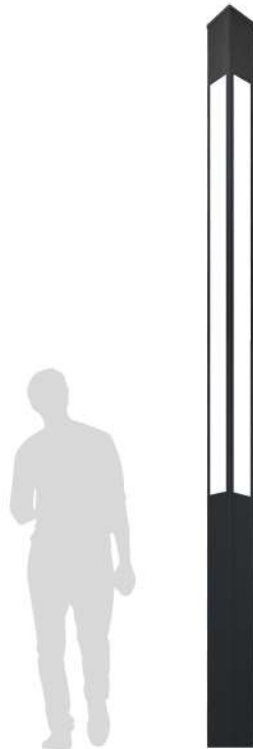
LED
T5
LAMP

UV
Powder
coating

GALVANIZED
STEEL
MATERIAL

MATT
ANTHRACITE
COLOR

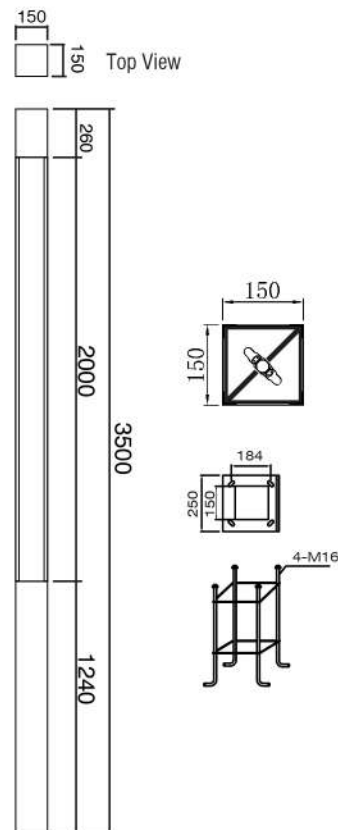
ECO



SPECIFICATION

Power	: 56W
Light source	: LED T5 4×14Watt (2sides, each side 2 pcs)
Lumen	: 4×1200 lm
Lumen/Watt	: 85 lm/W
CCT	: 3000K
CRI	: >80
Beam Angle	: N/A
Materials	: Galvanized steel (T=1.5mm.) The diffuse glass is opal acrylic. The exposed fastening screws, nuts is 304 stainless steel. Matt Anthracite (V322401S)
Color	: UV Powder coating (UV Protected),
Paint method	: electrostatic spray with high quality UV proof outdoor plastic powder, Anti-rotten/ acid.alkali.thickness≥80um, fastening screws, nuts of stainless steel (exposed).
Optical cover	: Opal acrylic.
Adjustable	: No
IP	: 65
Driver Type	: Internal Driver
Surge Protection	: -
Power Voltage / THDi(%)	: 100-240 VAC 50Hz
Dimension (W×L×H)	: 150×150×3500 mm.
Lifetime	: >50,000 hours

DIMENSION (Unit mm.)



*Excluded of bolt for fixing with ground

UNIT PRICE : 11,250.-

Model

LC-WD-T124F

GARDEN LIGHTING



T5
LAMP

IP65

**GALVANIZED
STEEL
MATERIAL**

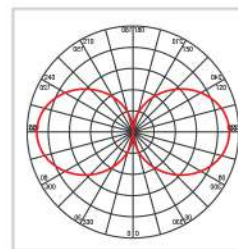
**Matt
ANTHRACITE
COLOR**



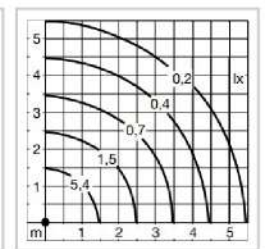
SPECIFICATION

Power	: 50W
Light source	: 6xLED T5 72W
Lumen	: 6840 lm
Lumen/Watt	: 95 lm/W
CCT	: 3000K
CRI	: >80
Beam Angle	: 360°
Materials	: hot dip galvanizing steel tube T2.5mm. The diffuser is milk white PMMA. Exposed fastening screws, nuts is 304 stainless steel.
Color	: Matt Anthracite (V322401S)
Paint method	: UV Powder coating (UV Protected), Anti-rotten/acid.alkali.thickness≥80um, fastening screws, nuts of stainless steel (exposed).
Optical cover	: Polycarbonate
Adjustable	: No
IP	: 65
Driver Type	: External Driver
Surge Protection	: 6kV
Power Voltage / THDi(%)	: 100-240 VAC 50Hz
Power factor	: -
Standard (Local)	: TIS.1955/2551
Applied	: -
Dimension (ØxH)	: Ø140x3500 mm.
Lifetime	: >50,000 hours

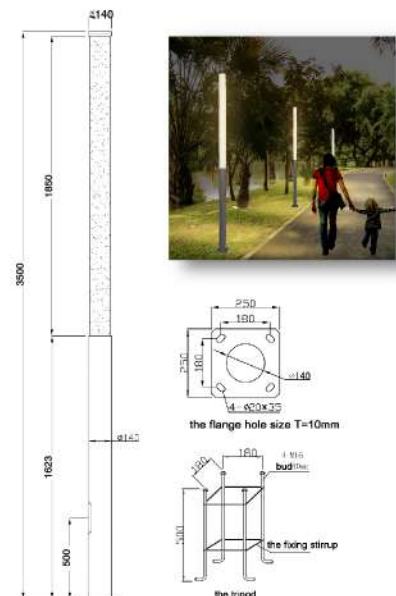
PHOTOMETRIC DATA



LIGHT DISTRIBUTION



DIMENSION (Unit mm.)



UNIT PRICE : 19,800.-

*Excluded of bolt for fixing with ground

Model

LC-WD-T317

GARDEN LIGHTING



50w
5000lm

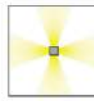
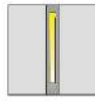
IP65

ALUMINUM
MATERIAL

bridgelux
LED CHIP

MW
MEAN WELL
DRIVER

MATT
ANTHRACITE
COLOR



COB LED 50W



LENS LED

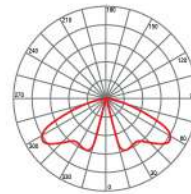


SPECIFICATION

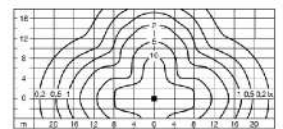
Power	: 50W
Light source	: Bridgelux LED
Lumen	: 5000 lm
Lumen/Watt	: 100 lm/W
CCT	: 3000K
CRI	: >80
Beam Angle	: -°
Materials	: Good quality aluminum. The diffuse glass is tempered clear glass. The exposed fastening screws, nuts is 304 stainless steel.
Color	: Matt Anthracite (V322401S)
Paint method	: UV Powder coating (UV Protected), Anti-rotten/acid.alkali.thickness ≥ 80um, fastening screws, nuts of stainless steel (exposed).
Optical cover	: Polycarbonate
Adjustable	: No
IP	: 65
Driver Type	: External Driver
Surge Protection	: 6kV
Power Voltage / THDi(%)	: 100-240 VAC 50Hz
Power factor	: -
Standard (Local)	: TIS.1955/2551
Applied	: MEA Test Certificate
Dimension (WxLxH)	: 220 x 220 x H3500mm.
Lifetime	: >50,000 hours

Note : MEA Test Certified

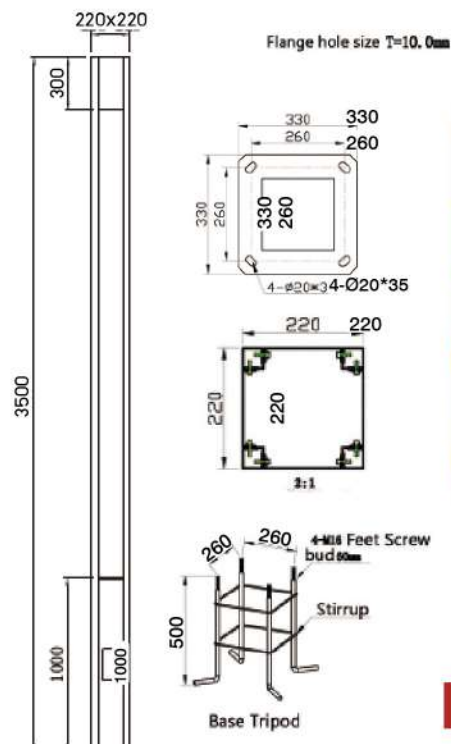
PHOTOMETRIC DATA



LIGHT DISTRIBUTION



DIMENSION (Unit of mm.)



UNIT PRICE : 27,500.-

*Excluded of bolt for fixing with ground

Model

LC-YL-T411A

GARDEN LIGHTING

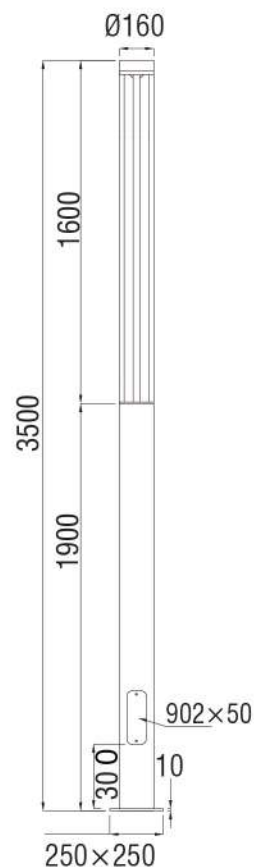


SPECIFICATION

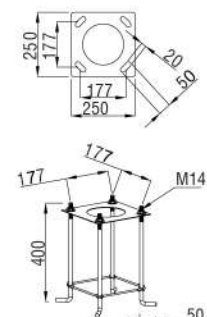
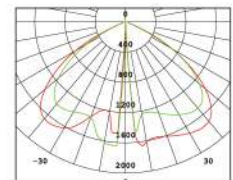
Power	: 45W
Light source	: LED CREE
Lumen	: 4500 lm
Lumen/Watt	: 100 lm/W
Color	: 3000K
CRI	: > 80
Beam Angle	: 180°
Materials	: Aluminum
IP	: 65
Driver	: Meanwell Driver
Input voltage	: AC220V~50Hz
Power factor	: > 0.96
Dimension (ØxH)	: Ø160x3500 mm.

UNIT PRICE : 27,500.-

DIMENSION (Unit mm.)



PHOTOMETRIC DATA



*Excluded of bolt for fixing with ground

Model

LC-WD-T135 ONE HEAD

STREET LIGHT

60W
6960lm

IP65

ALUMINIUM
MATERIAL

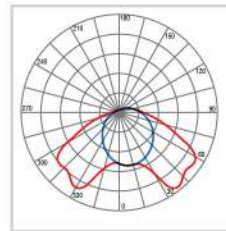
LUMILEDS
LED CHIP

MW
MEAN WELL
DRIVER

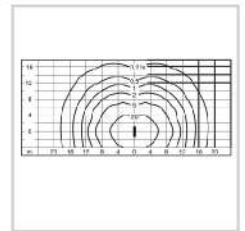
MATT
ANTHRACITE
COLOR



PHOTOMETRIC DATA



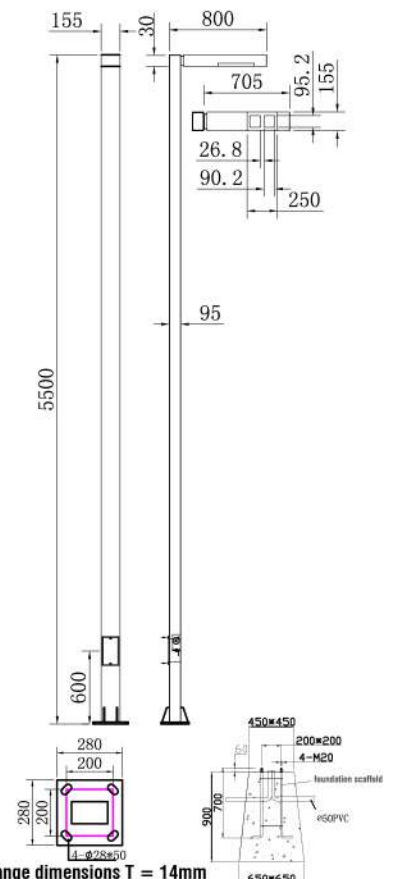
LIGHT DISTRIBUTION



SPECIFICATION

Power	: 60W
Light source	: Lumileds (Philips) LED
Lumen	: 6960 lm
Lumen/Watt	: 116 lm/W
CCT	: 4000K
CRI	: >80
Beam Angle	: 152°x72°
Materials	: Aluminium, The exposed fastening screws, nuts is 304 stainless steel.
Color	: Matt Anthracite (V322401S)
Paint method	: UV Powder coating (UV Protected), Anti-rotten/acid.alkali.thickness≥80um, fastening screws, nuts of stainless steel (exposed).
Optical cover	: Polycarbonate
Adjustable	: -
IP	: 65
Driver Type	: External Driver
Surge Protection	: 6kV
Power Voltage / THDi(%)	: 100-240 VAC 50Hz , <15%
Power factor	: >0.96
Standard (Local)	: TIS.1955/2551
Applied	: -
Dimension (WxLxH)	: 155x800x5500mm.
Lifetime	: >50,000 hours

DIMENSION (Unit mm.)



Pre-buried flange dimensions T = 14mm

Note : MEA Test Certified

UNIT PRICE : 32,000.-

*Excluded of bolt for fixing with ground



adjustable headlamp
reduce back light (bug rating)
conforming to LEED

60W
6960lm

IP65

ALUMINIUM
MATERIAL

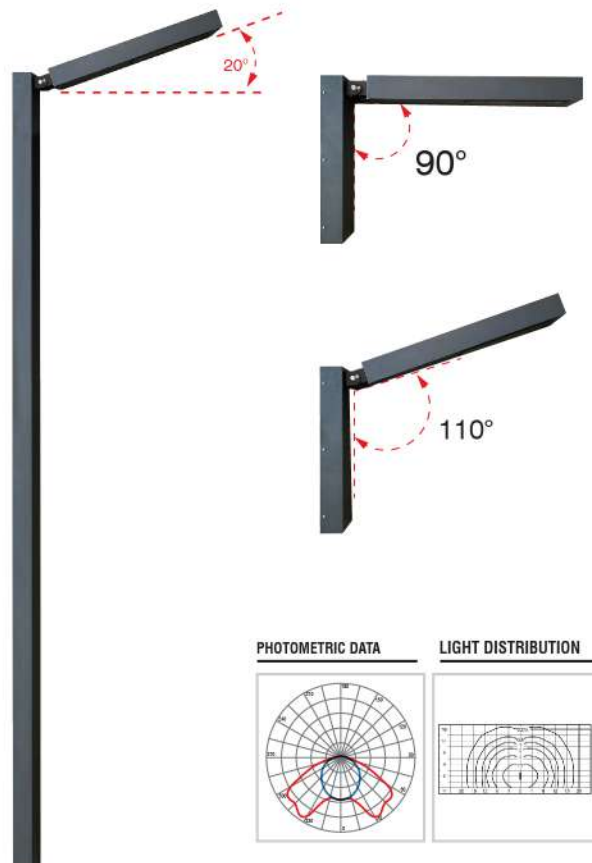
LUMILEDS
LED CHIP

MW
MEAN WELL
DRIVER

MATT
ANTHRACITE
COLORS

Model
LC-WD-T135-ADJUST

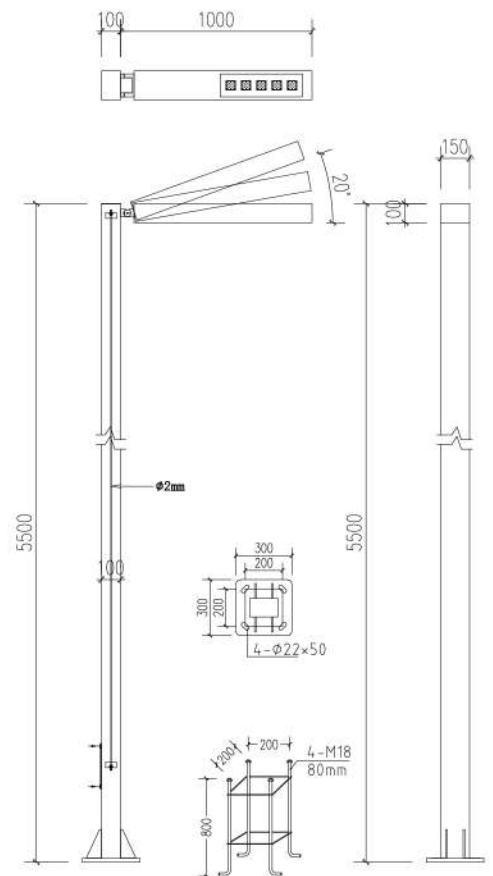
STREET LIGHT



SPECIFICATION

Power	:	60W
Light source	:	Lumileds (Philips) LED
Lumen	:	6960 lm
Lumen/Watt	:	116 lm/W
CCT	:	3000K
CRI	:	> 80
Beam Angle	:	152°x72°
Materials	:	Aluminium, The exposed fastening screws, nuts is 304 stainless steel.
Color	:	Matt Anthracite (V322401S)
Paint method	:	UV Powder coating (UV Protected), Anti-rotten/acid.alkali.thickness≥80um, fastening screws, nuts of stainless steel (exposed).
Optical cover	:	Polycarbonate
Adjustable	:	Yes
IP	:	65
Driver Type	:	External Driver
Surge Protection	:	6kV
Power Voltage / THDi(%)	:	100-240 VAC 50Hz , <15%
Power factor	:	>0.96
Standard (Local)	:	TIS.1955/2551
Applied	:	LEED
Dimension (WxLxH)	:	150x1100x5500mm.
Lifetime	:	> 50,000 hours

DIMENSION (Unit mm.)



UNIT PRICE : 38,000.-

*Excluded of bolt for fixing with ground



adjustable headlamp
reduce back light (bug rating)
conforming to LEED

2 × 60
Watt

IP65

ALUMINIUM
MATERIAL

LUMILEDS
LED CHIP

MW
MEAN WELL
DRIVER

MATT
ANTHRACITE
COLORS

Model

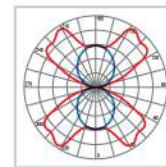
LC-WD-T135-ADJUST -2

STREET LIGHT



PHOTOMETRIC DATA

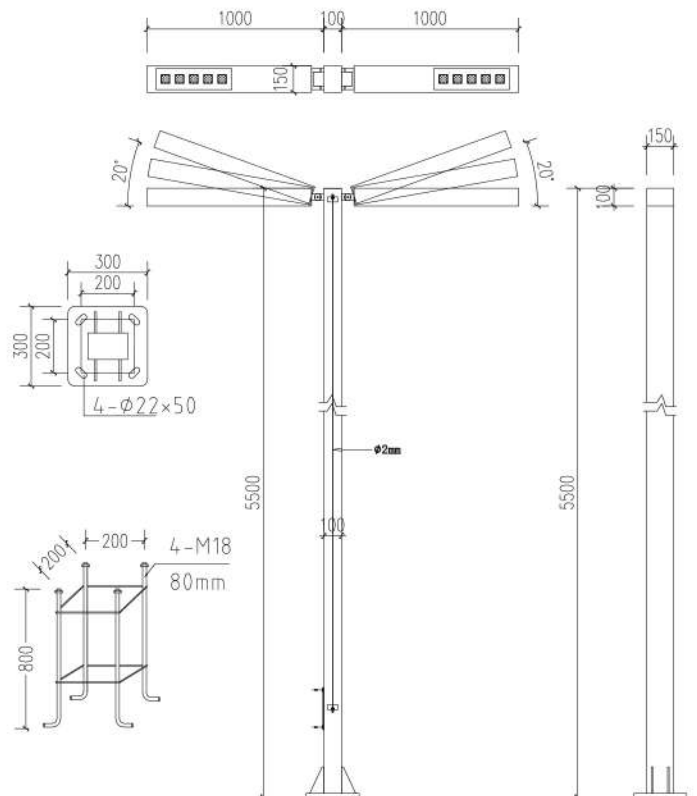
LIGHT DISTRIBUTION



SPECIFICATION

Power	: 2×60W
Light source	: Lumileds (Philips) LED
Lumen	: 2×6960 lm
Lumen/Watt	: 116 lm/W
CCT	: 3000K
CRI	: >80
Beam Angle	: 152°x72°
Materials	: Aluminium, The exposed fastening screws, nuts is 304 stainless steel.
Color	: Matt Anthracite (V322401S)
Paint method	: UV Powder coating (UV Protected), Anti-rotten/acid.alkali.thickness≥80um, fastening screws, nuts of stainless steel (exposed).
Optical cover	: Polycarbonate
Adjustable	: Yes
IP	: 65
Driver Type	: External Driver
Surge Protection	: 6kV
Power Voltage / THDi(%)	: 100-240 VAC 50Hz, <15%
Power factor	: >0.96
Standard (Local)	: TIS.1955/2551
Applied	: LEED
Dimension (WxLxH)	: 150x2100x5500mm.
Lifetime	: >50,000 hours

DIMENSION (Unit mm.)



*Excluded of bolt for fixing with ground

UNIT PRICE : 40,000.-

Model

LC-WD-T579-1

GARDEN LIGHTS

IP65

MW
MEAN WELL
DRIVER

30w
3000lm

EPISTAR
LED CHIP

Matt
ANTHRACITE
COLOR

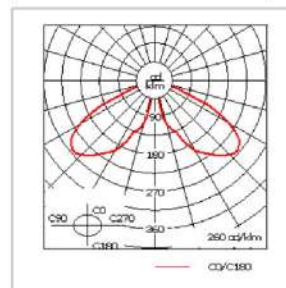


SPECIFICATION

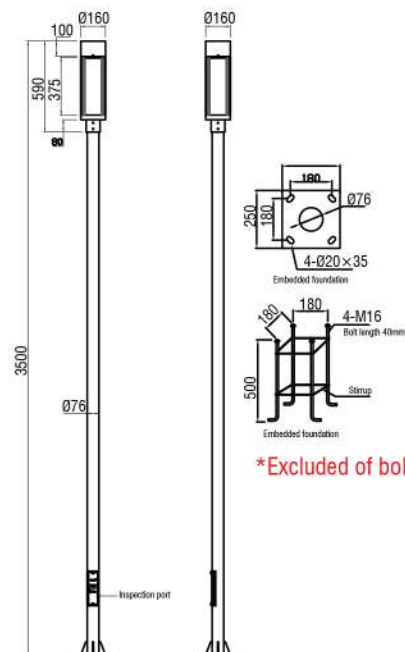
Power	: 30W
Light source	: Epistar LED
Lumen	: 3000 lm
Lumen/Watt	: 100 lm/W
CCT	: 3000K
CRI	: > 80
Beam Angle	: 360°
Materials	: Aluminum lamp head. Acrylic lampshade. Exposed fastening screws, nuts is 304 stainless steel.
Color	: Matt Anthracite (V322401S)
Paint method	: UV Powder coating
Optical cover	: Polycarbonate
Adjustable	: No
IP	: 65
Driver Type	: Internal Driver
Surge Protection	: 6kV
Power Voltage / THDi(%)	: 100-240 VAC 50Hz , < 15%
Power factor	: > 0.96
Standard (Local)	: TIS.1955/2551
Applied	: -
Dimension (WxLxH)	: Ø160x590 mm.
Applied	: -
Lifetime	: > 50,000 hours

UNIT PRICE : xx,xxx.-

PHOTOMETRIC DATA



DIMENSION (Unit mm.)



Model

LC-WD-T579-2

GARDEN LIGHTS

IP65

MW
MEAN WELL
DRIVER

2 × 30w
6000lm

EPISTAR
LED CHIP

Matt
ANTHRACITE
COLOR

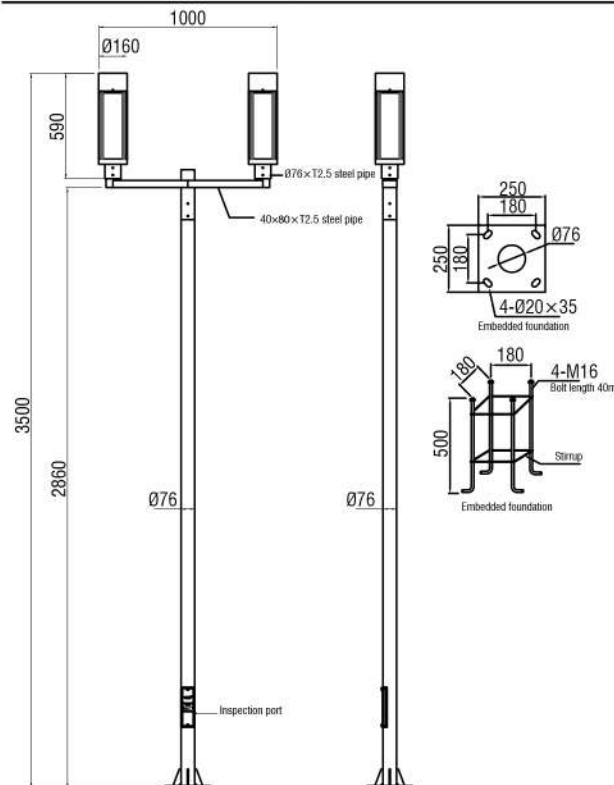


SPECIFICATION

Size	: Matt Anthracite (V322401S)
	: Head size $\varnothing 160 \times H590$ mm.
Light source	: total W1000 \times H3500mm.
Driver	: LED 2 \times 30W EPISTAR
Input voltage	: Meanwell
Material	: AC220V ~ 50Hz
	: Q235 hot-dip galvanized pipe pole $\varnothing 76$ mm, T2.75mm.
	: Q235 hot-dip galvanized pipe arm 40 \times 80 \times T2.0mm.
	: Aluminum lamp head. Acrylic lampshade.
Craftwork	: Exposed fastening screws, nuts is 304 stainless steel.
	: Outdoor UV spray powder,
	: Anti-rotten/acid.alkali.thickness ≥ 80 um,
	: fastening screws, nuts of stainless steel (exposed).
IP	: 65

UNIT PRICE : xx,xxx.-

DIMENSION (Unit of mm.)



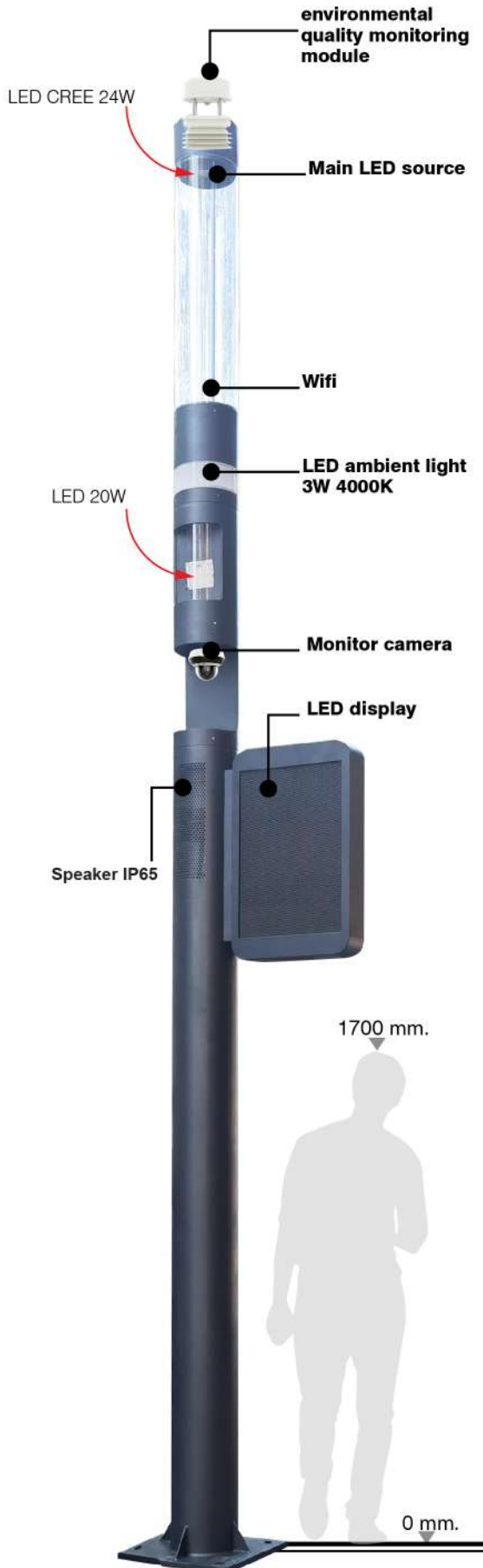
*Excluded of bolt for fixing with ground

Model
LC-WD-T373 MAX AI
SMART LIGHT

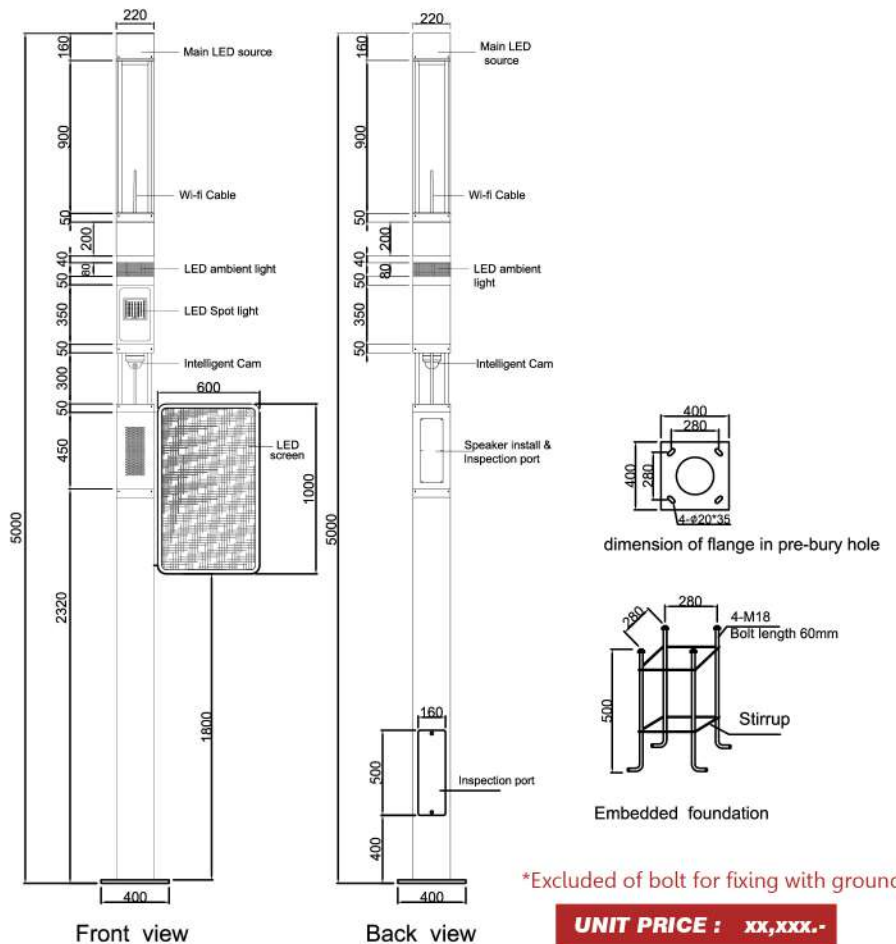


SPECIFICATION

- Color Finish : Matt Anthracite (V322014S)
- Size : Ø220×H5000mm.
- Light Source : - LED CREE 24W 360 degree lighting
- Spot light 20W 180 degree lighting
- LED ambient light 3w 4000K
- Ai Funtion : ✓ Monitor camera
✓ Speaker IP65
✓ Wifi
✓ LED display
✓ environmental quality monitoring module
- Beam Angle : 360°
- CCT : 4000K
- Input Voltage : AC220V-50Hz
- Power Supply : Meanwell
- Material : Good quality aluminum. The diffuse glass is tempered clear glass.
The exposed fastening screws, nuts is 304 stainless steel.
- Craftwork : Outdoor UV spray powder, Anti-rotten/acid.alkali.thickness ≥80um,
- IP : 65



DIMENSION (Unit mm.)



Smart light
MAX

Model

LC-WD-T373 MAX

SMART LIGHT



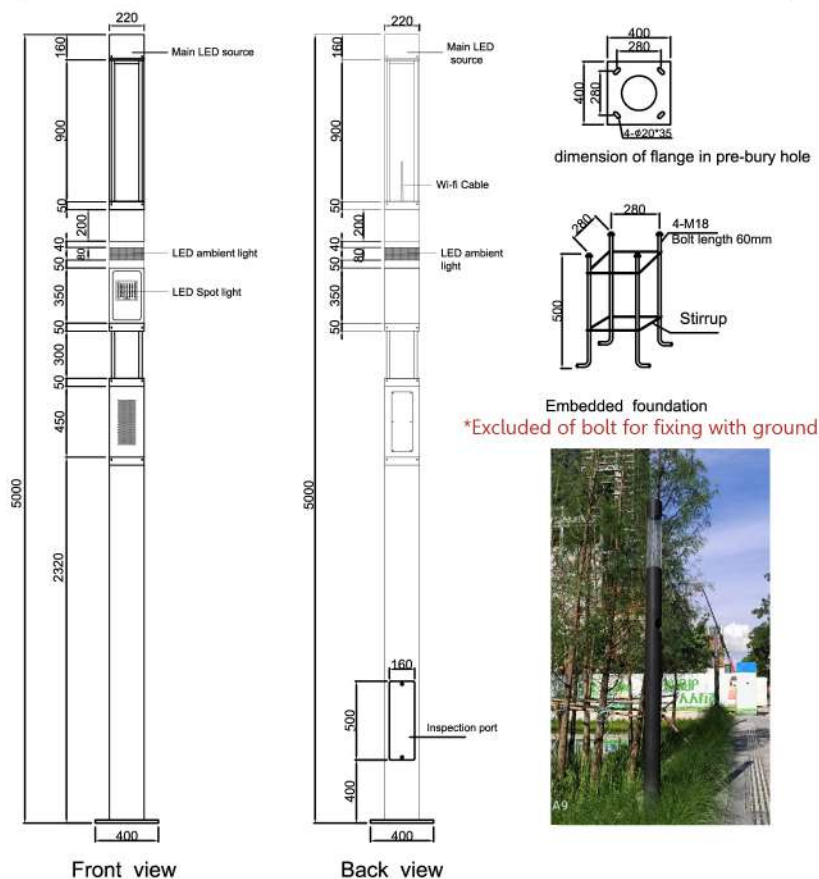
SPECIFICATION

Type	: Garden Lighting
Size	: Ø220xH5000mm.
Light Source	: LED CREE 24W/360° lighting/ 180° lighting reflector/Lighting ring
AI Funtion	: 1. Camera module (with out camera) 2. Speaker Module (with out speaker) 3. WI FI module (speaker WI FI) 4. Advertising module (speaker Advertising)
Beam Angle	: 360°
CCT	: 4000K
Input Voltage	: AC220V~50Hz
Power Supply	: Meanwell Driver
Material	: Good quality aluminum. The diffuse glass is tempered clear glass. The exposed fastening screws, nuts is 304 stainless steel.
Craftwork	: UV Powder coating (UV Protected), Anti-rotten/acid.alkali.thickness~80um, fastening screws, nuts of stainless steel (exposed).
IP	: 65
Color	: Matt Anthracite (V322401S)
Remark	: With AI equipment inside



UNIT PRICE : XX,XXX.-

DIMENSION (Unit mm.)



Smart light
NORMAL

Model

LC-WD-T373 NORMAL

SMART LIGHT

IP65

24w
2400lm

CREE
LED CHIP

MW
MEAN WELL
DRIVER

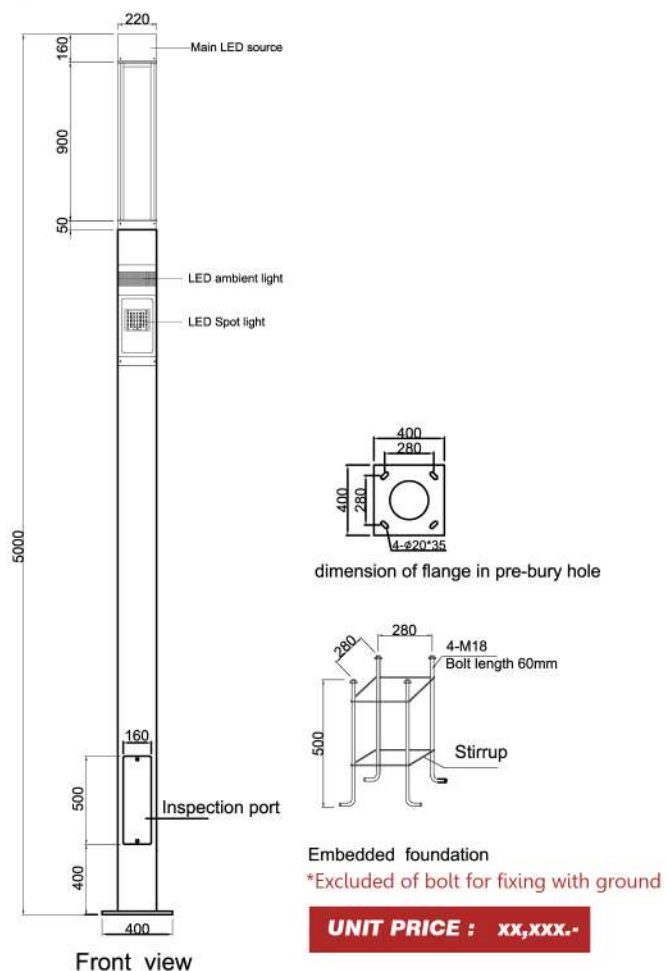
Matt
ANTHRACITE
COLOR

SPECIFICATION

Type	: Garden Lighting
Size	: Ø220xH5000 mm.
Light Source	: LED CREE 24W/360° lighting/ 180° lighting reflector/Lighting ring
AI Funtion	: No
Beam Angle	: 360°
CCT	: 4000K
Input Voltage	: AC220V~50Hz
Power Supply	: Meanwell Driver
Material	: Good quality aluminum. The diffuse glass is tempered clear glass. The exposed fastening screws, nuts is 304 stainless steel.
Craftwork	: UV Powder coating (UV Protected), Anti-rotten/acid.alkali.thickness~80um, fastening screws, nuts of stainless steel (exposed).
IP	: 65
Color	: Matt Anthracite (V322401S)
Remark	: Only three lighting



DIMENSION (Unit mm.)



Model

LC-YL-HALO-1000A-021G-3.75m.

GARDEN LIGHTING

ANTHRACITE
GREY
COLOR

DIE CASTING
ALUMINUM

LED

IP65

45
WATT

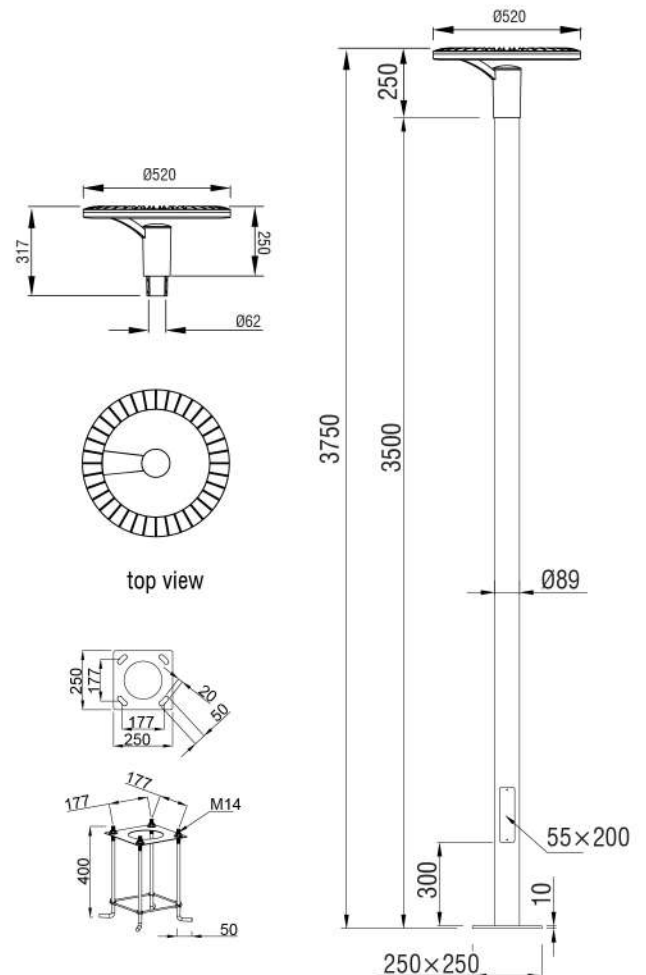
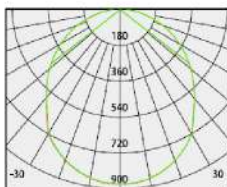


DIMENSION (Unit mm.)

SPECIFICATION

Power	: 45W
Light source	: LED
Lumen	: 3089lm
CCT	: 3000K
Beam Angle	: 104.19°
Input Voltage	: 110-240V/50Hz
Materials	: die-cast Aluminum housign Opal Pc lens
IP	: 65
Driver Type	: External Driver
Dimension (Lamp Head)	: Ø520×H317 mm.
Total Height	: 3750 mm.
Pole Diameter	: Ø89mm.
Base	: 250×250×H10 mm.
Color	: Anthracite Grey RAL 7016

PHOTOMETRIC DATA



UNIT PRICE : xx,xxx.-

*Excluded of bolt for fixing with ground

Model

LC-YL-Limb-1004-P021G-3.5m

GARDEN LIGHTING

IP65

DIE CASTING ALUMINUM

LED

ANTHRACITE GREY COLOR



1004-3-P021G

1004-4-P011G

1004-6-P011G

1004-9-P011G

1004-11-P011G

SPECIFICATION

Model	Power	Light source	Lumen	CCT	Materials	IP	Dimension (Head)
1004-3-P021G	60W	LED SMD 2835	3×2000lm	3000K	die-cast Aluminum and extruded Aluminium, Opal Pc lens	65	Ø50mm. W1510/E1300/H565mm.
1004-4-P021G	60W	LED SMD 2835	4×1500lm				Ø50mm. W1880/E1200×H565mm.
1004-6-P021G	90W	LED SMD 2835	6×1500lm				Ø50mm. W1780/E1500/H675mm.
1004-9-P021G	180W	LED SMD 2835	9×2000lm				Ø50mm. W2130/E1980/H790mm.
1004-11-P021G	220W	LED SMD 2835	11×2000lm				Ø50mm. W2215/E2130/H790mm.



(Head)

