

MODEL 1006

This is a high performance, precision micro switch instrument with $\pm 2.5^{\circ}\text{C}$ accuracy, capable of temperature monitoring, indication & control for the protection of transformers upto 5 MVA rating.

Technical Data:

Dial Diameter	150mm (6") Round Type
Angular Sweep	270°
Range	0-150°C
Accuracy	$\pm 2.5^{\circ}\text{C}$
Graduations	2°C per division

Switch Configurations:

Maximum Number of Switches	2
Switch Type	Heavy Duty Micro Switch
Switch Rating	5A at 240V AC
Switches	Normally Open Type
Adjustable Range	20 90% of Full Scale Range
Switch Differential	5°C Fixed
Switch Accuracy	$\pm 2.5^{\circ}\text{C}$ of Set Value
Contact Type	Switch Contacts are Potential Free

Electrical Connections:

Cable Conductor Size	1 sq. mm.
Oil Temperature Indicator	4 Core Copper Cable for Switch Connections (Length as per customer requirement)
Winding Temperature Indicator	6 Core for Copper Cable for Switches Connections and CT Connections - (Length as per customer requirement)
All Line to Body (Earth) High Voltage Breakdown Tested	2500V AC, 50 Hz. for 60 seconds

Instrument Case

Weatherproof die-cast Aluminum Alloy Casting with epoxy powder coated at all sides. Protective Class IP55 as per IS 13947 part II.

Capillary Entry

Bottom or Top of the case

Cap. Length

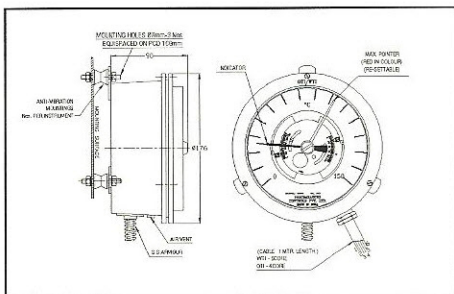
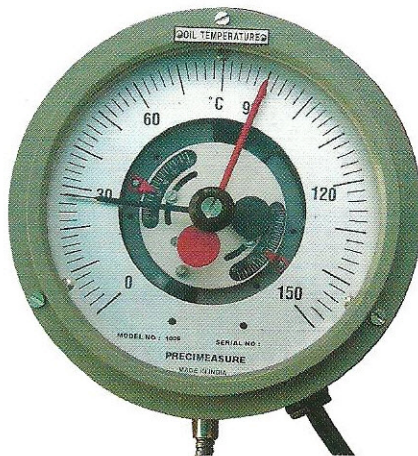
Up to 6 Meters

Cap. Tubing

Capillary line protected by flexible Stainless Steel Armour

Standard Fittings:

- 1 Resettable Maximum Pointer
- 2 Anti-Vibration Mountings (For Projection Mounting)
- 3 'V' Shape S.S. Clamp, Gasket & Rubber Shoe (For Flush Mounting)



MODEL 1006D

This is a high performance, precision micro switch instrument with $\pm 3^{\circ}\text{C}$ accuracy, capable of temperature monitoring, indication & control for the protection of Dry Type Transformers and Industrial Process Control Equipments.

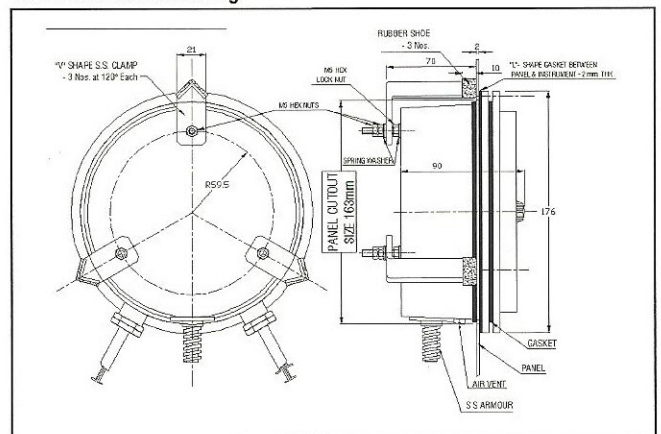
Technical Data:

Dial Diameter	150mm (6") Round Type
Angular Sweep	270°
Range	0-240°C
Accuracy	$\pm 3^{\circ}\text{C}$
Graduations	2°C per division

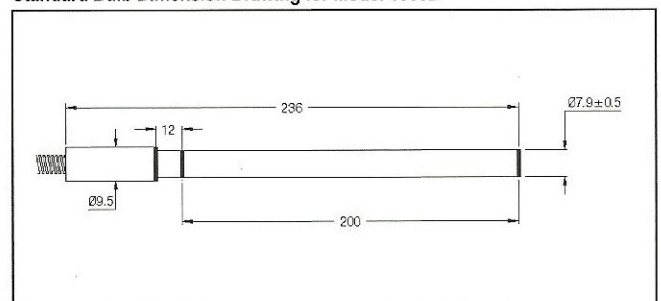
All other Technical details are similar to Model 1006. Except Sensing Bulb Dimension, Scale Range .



Overall Dimension Drawing:



Standard Bulb Dimension Drawing for Model 1006D



MODEL 1003

This is a high performance, precision mercury switch instrument with $\pm 2.5^{\circ}\text{C}$ accuracy, capable of temperature monitoring, indication & control for the protection of Transformers upto 5 MVA ratings.

Technical Data:

Dial Diameter	150mm (6") Round Type
Angular Sweep	270°
Range	0-150°C
Accuracy	$\pm 2.5^{\circ}\text{C}$
Graduations	2°C per division

Electrical Connections:

Cable Conductor Size	1 sq. mm.
Oil Temperature Indicator	4 Core Copper Cable for Switch Connections (Length as per Customer Requirement)
Winding Temperature Indicator	4 Core for Switch connections and 2 Core Copper Cable for CT Connection (Length as per Customer Requirement)
All Line to Body (Earth)	2.5 KV AC, 50 Hz. for 60 seconds
High Voltage Breakdown Tested	

Switch Configurations:

Maximum Number of Switches	2
Switch Type	Heavy Duty Dry Electrode Mercury in Glass
Switch Rating	2A AC/DC at 250V $\pm 10\%$
Switches	Normally Open Type
Adjustable Range	10-90% of Full Scale Range
Switch Differential	8°C - Fixed
Switch Accuracy	$\pm 2.5^{\circ}\text{C}$ of Set value
Contact Type	Switch Contacts are Potential Free

Instrument Case Weatherproof Aluminum Alloy Casing with epoxy coated at all sides. Suitable for outdoor mounting - Protective Class IP55 as per IS 13947 part II.

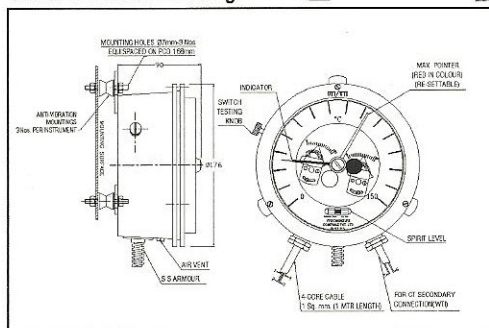
Capillary Entry	Bottom or Top of the case
Cap. Length	Up to 6 Meters
Cap. Material	Capillary line protected by flexible Stainless Steel Armour

Standard Fittings:

- 1 Switch Testing Knob
- 2 Resettable Maximum Pointer
- 3 Anti-Vibration Mounting



Overall Dimension Drawing:



MODEL 1030

This is a high performance, precision mercury switch, instrument with $\pm 2.5^{\circ}\text{C}$ accuracy, capable of temperature monitoring, indication & control for the protection of Transformers upto 5 MVA rating.

Technical Data:

Dial Diameter	150mm - Segment Dial
Angular Sweep	60°
Range	0-150°C
Accuracy	$\pm 2.5^{\circ}\text{C}$
Graduations	2°C per division

Electrical Connections:

Cable Conductor Size	1 sq. mm.
Oil Temperature Indicator	4 Core Copper Cable for Switch Connections (Length as per Customer Requirement)
Winding Temperature Indicator	4 Core for Switch connections and 2 Core Copper Cable for CT Connection (Length as per Customer Requirement)
All Line to Body (Earth)	2500V AC, 50 Hz. for 60 seconds
High Voltage Breakdown Tested	

Switch Configurations:

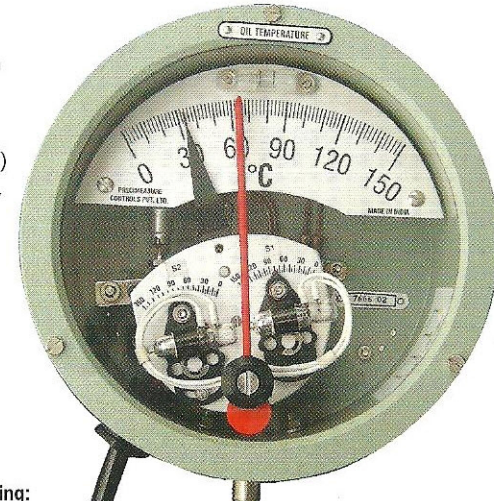
Maximum Number of Switches	2
Switch Type	Heavy Duty Dry Electrode Mercury in Glass
Switch Rating	2A AC/DC at 250V $\pm 10\%$
Switches	Normally Open Type
Adjustable Range	10-90% of Full Scale Range
Switch Differential	8°C - Fixed
Switch Accuracy	$\pm 2.5^{\circ}\text{C}$ of Set value
Contact Type	Switch Contacts are Potential Free

Instrument Case Weatherproof cast Aluminum Alloy Casing with epoxy coated at all sides. Suitable for outdoor mounting - Protective Class IP55 as per IS 13947 part II.

Capillary Entry	Bottom of the case
Cap. Length	Up to 6 Meters
Cap. Material	Capillary line protected by flexible Stainless Steel Armour

Standard Fittings:

- 1 Resettable Maximum Pointer
- 2 Anti-Vibration Mountings (For Projection Mounting)
- 3 'V' Shape S.S. Clamp, Gasket & Rubber Shoe (For Flush Mounting)



Overall Dimension Drawing:

