

COMPACT SIZE LOW VOLTAGE CAPACITOR UNITS

Nokian Capacitors' low voltage power capacitors are manufactured by using the latest methods. Capacitor elements of metallized polypropylene film are self-healing and dry without impregnation liquid. Each capacitor element is individually protected with patented internal protection.

Capacitors have low losses, and are constructed to be compact size and light in weight. The low voltage power capacitors comply with most national and international standards.

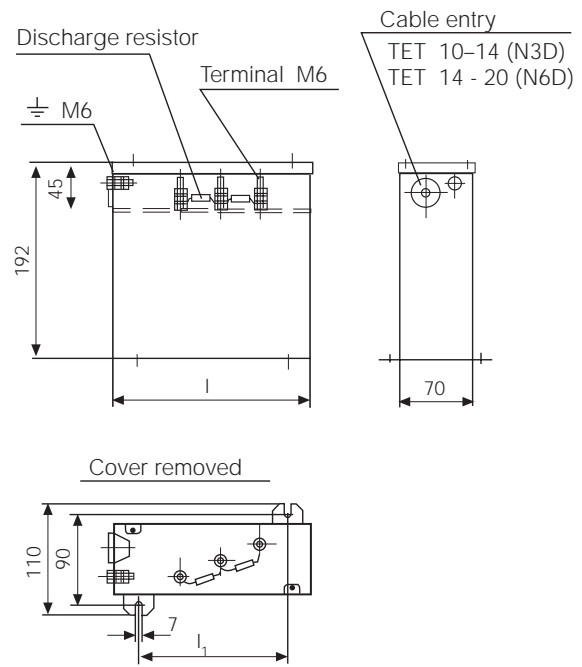


NOKIAN CAPACITORS	
INDOOR TYPE CAPACITOR 3-PHASES	
SERIAL NO	*CS713403*
CONNECT.	D
TEMP. CAT.	-40/D °C
TYPE	N3D
Qn	12.5 kvar
Un	400 V
fn	50 Hz
In	18 A
Ui	3/15 kV
SELF-HEALING, DRY DESIGN INTERNALLY PROTECTED CAPACITOR ELEMENTS	
STAND. IEC 831 (1996)	
CE MADE IN FINLAND	

NOKIAN CAPACITORS	
INDOOR TYPE CAPACITOR 3-PHASES	
SERIAL NO	*CS713402*
CONNECT.	D
TEMP. CAT.	-40/D °C
TYPE	N6D
Qn	20 kvar
Un	400 V
fn	50 Hz
In	28.9 A
Ui	3/15 kV
SELF-HEALING, DRY DESIGN INTERNALLY PROTECTED CAPACITOR ELEMENTS	
STAND. IEC 831 (1996)	
CE MADE IN FINLAND	

TECHNICAL DATA

Type:	N-series Self-healing Dry type design Patented internally protected elements Steel enclosure
Degree of protection:	IP42
Rated voltage:	400 and 440 V
Rated frequency:	50 Hz
Insulation level:	3 kV rms/ 15 kV crest
Losses:	≤ 0.5 W/kvar
Continuous overvoltage:	1.1 x U _N
Continuous overcurrent:	1.3 x I _N
Temperature category:	min. -40°C, max +55°C. Highest mean over any period of: - 24 hours +45°C - 1 year +35°C. Other conditions, contact manufacturer.
Standards:	IEC 60831-1 (1996) IEC 60831-2 (1995)
Colour:	RAL 7032



400 V, 50 Hz, 3 PH STANDARD TYPES FOR INDOOR MOUNTING

TYPE	Q _N kvar	I _N A	TERMINALS	DIMENSIONS AND WEIGHT		
				I mm	I ₁ mm	kg
N3D	2,5	3,5	M6	190	143	2,5
N3D	5	7	M6	190	143	2,5
N3D	7,5	11	M6	190	143	2,5
N3D	10	14,5	M6	190	143	2,5
N3D	12,5	18	M6	190	143	2,5
N6D	15	22	M6	377	330	5
N6D	20	29	M6	377	330	5
N6D	25	36	M6	377	330	5

440 V, 50 Hz, 3 PH STANDARD TYPES FOR INDOOR MOUNTING

TYPE	Q _N kvar	I _N A	TERMINALS	DIMENSIONS AND WEIGHT		
				I mm	I ₁ mm	kg
N3D	5	6,5	M6	190	143	2,5
N3D	10	13	M6	190	143	2,5
N6D	15	20	M6	377	330	5
N6D	20	26	M6	377	330	5

The capacitors are supplied with external discharge resistors. (Other voltages and frequencies on request). Bigger sizes C-series units also available (see other leaflet).

In line with our policy of on-going product development we reserve the right to alter specifications.



Nokian Capacitors Ltd.
Kaapelikatu 3, P.O. Box 4
FI-33331 Tampere, Finland
Tel. +358 3 3883 11, fax +358 3 3883 360
www.nokiancapacitors.com