

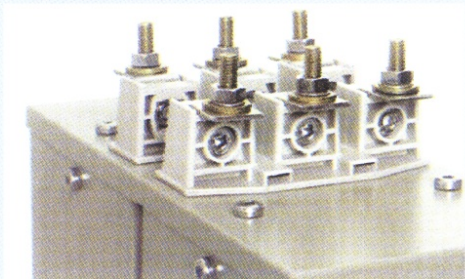
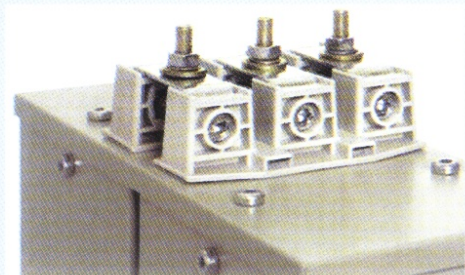
NEW

L2-SERIES LOW VOLTAGE POWER CAPACITORS

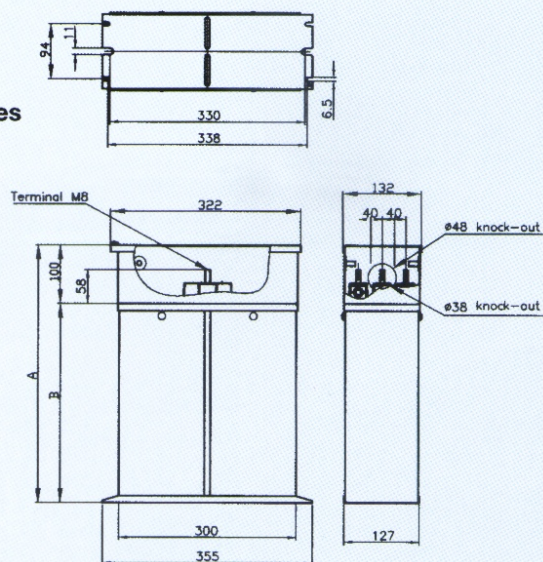
Capacitor elements of metallized polypropylene film are self-healing and dry without impregnation liquid. Each capacitor element is individually protected with patented internal protection.

- L2 design has
- smaller dimensions
 - lower losses
 - cable termination for one or two outputs
 - internal discharge resistors





L2-series



TECHNICAL DATA

Type:	L2-series Self-healing Dry type design Patented internally Protected elements Steel enclosure
Degree of protection:	IP 42 or IP00
Insulation level:	4kV rms/12 kV crest
Losses:	≤ 0.4 W/kvar
Continuous overvoltage:	$1.1 \times U_N$
Continuous overcurrent:	$1.3 \times I_N$
Temperature category:	-40/D min. -40 C, max +55 C
Standards:	IEC 60831-1 (1996/2002) IEC 60831-2 (1995)

Capacitors are supplied with internal discharge resistors (3 min. 75V) and terminal boxes (IP42) or without terminal box (IP00)

Standard series, for 50Hz or 60Hz frequencies, are available for following voltages: 220,230, 240,380,400,415,440,480,525,600,660 and 690 V.
Other voltages up to 1000 V on request.

For power range at <math>< 40</math>kvar, compact size, L1-series units also available (see other leaflet)

Standard types for indoor mounting

L2 casing Type	Dimensions (height)		Weight (approx.) kg	Power rating at 400 V 50 Hz One output kvar
	A mm	B mm		
FL2D	341	241	10	40
FL2D	341	241	10	50
SL2D	438	338	13	60
SL2D	438	338	14	75
AL2D	536	436	17	100
L2 casing Type	Dimensions (height)		Weight (approx.) kg	Power rating at 525 V 50 Hz One output kvar
	A mm	B mm		
FL2D	341	241	14	50
SL2D	438	338	16	65
SL2D	438	338	17	75
SL2D	438	338	19	80
AL2D	536	436	21	90
AL2D	536	436	22	100
TL2D	633	533	22	120

In line with our policy of on-going product development we reserve the right to alter specifications.



Nokian Capacitors Ltd.
Kaapelikatu 3, P.O. Box 4
FI-33331 Tampere, Finland
Tel. +358 3 3883 11, fax +358 3 3883 360
www.nokiancapacitors.fi